



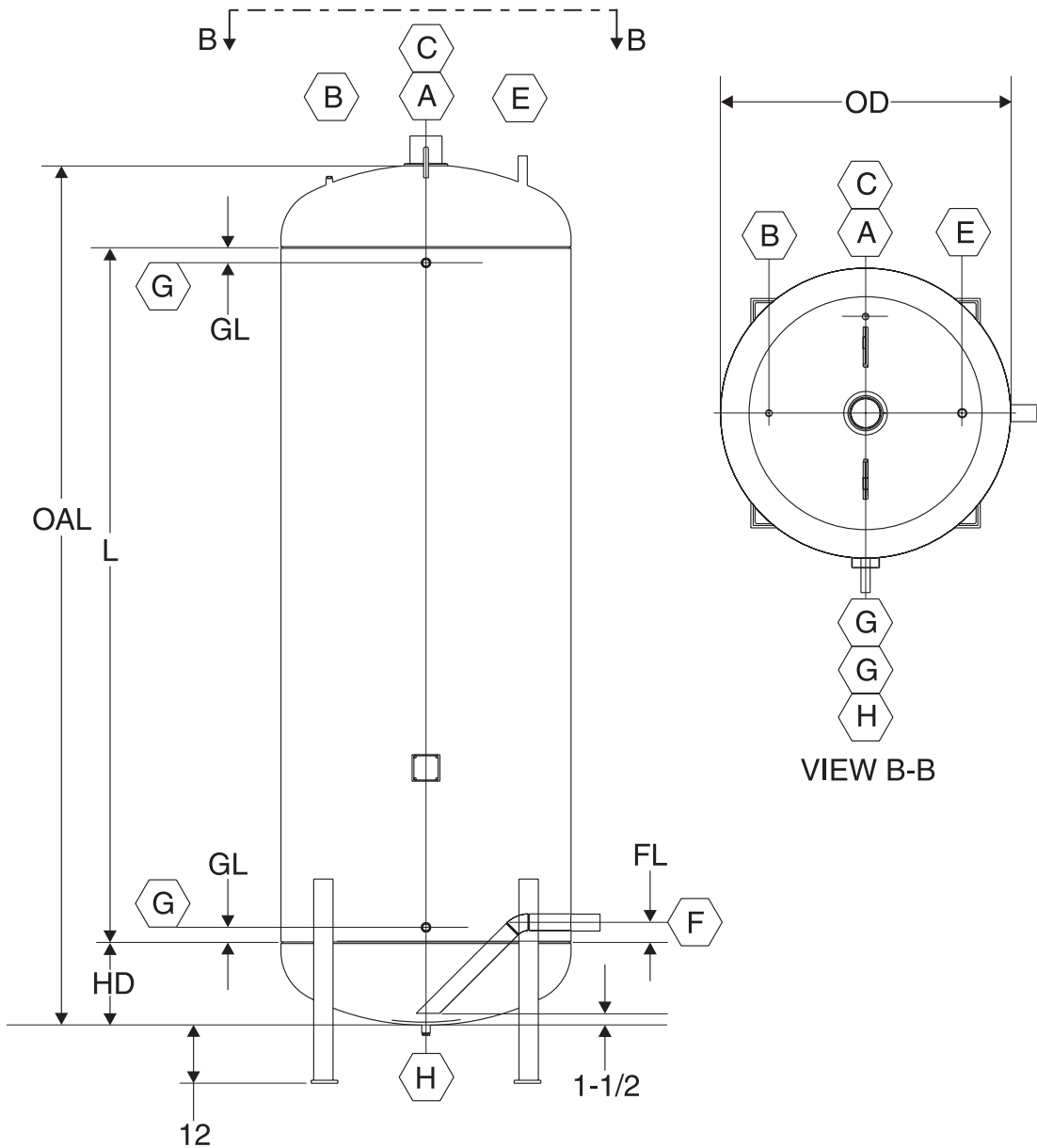
E120-710 SED/SEP 2002

File: EQUIPMENT MANUAL - Section 120
Replaces: Nothing, New Information
Dist: 1, 1a, 1b, 1c, 4, 4b, 4c

Specifications - Engineering Data - Dimensions

*VERTICAL
HP
RECEIVERS*





Notes:

1. All dimensions and nozzle nominal pipe sizes are given in inches unless noted otherwise.
2. Volume is given in total cubic feet of vessel.
3. R-717 volume estimated by using 80% total capacity filled with ammonia having a density of 36.7264 lbf/cu-ft (95°F).
4. Nozzle connections are supplied as pipe stubs unless otherwise specified as a coupling.
5. Couplings are ASME B16.11 Class 3000 "full" couplings.
6. Nozzles are sized for R-717 and should not be used with other refrigerants (e.g. R-22 & R-507).
7. Use minimum 2 inch standoff on nameplate bracket.
8. All dimensions are subject to change; please consult factory for certified drawings.
9. Vessels are built in accordance with ASME Boiler and Pressure Vessel Code, Section VIII, Division 1.

Key to Nozzle/Coupling Locations:

- | | |
|-----------------------|----------------------|
| A - Liquid In | H - Drain (Coupling) |
| B - Purge (Coupling) | HD - Head Depth |
| C - Relief (Coupling) | L - Shell Length |
| E - Equalizer | |
| F - Liquid Out | |
| G - Level Column | |

Figure 1. Data and Dimensions

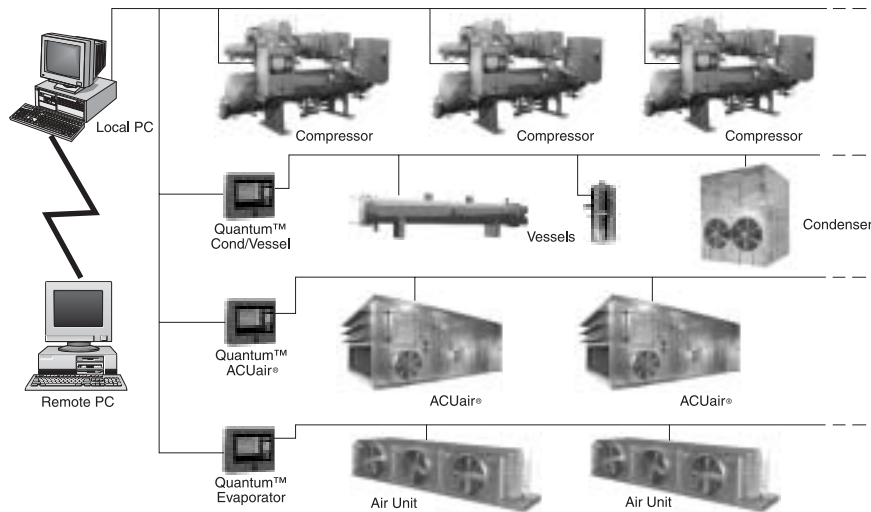
MODEL NUMBER	MAWP (psig)	VESSEL		Dry Weight (lbf)	VOLUME ⁽²⁾ (ft ³)	R-717 ⁽³⁾ (lbf)
		OD (in)	OAL (in)			
VR-24-112	300	24	112-3/8	1,040	26.5	777
VR-24-136	300	24	136-3/8	1,260	32.4	951
VR-30-113	250	30	113-3/8	1,310	41.9	1,231
VR-30-137	250	30	137-3/8	1,580	51.2	1,505
VR-36-116	250	36	116-3/8	1,610	62.0	1,821
VR-36-140	250	36	140-3/8	1,940	75.5	2,219
VR-42-119	250	42	119-3/8	1,920	86.4	2,539
VR-42-143	250	42	143-3/8	2,310	105.0	3,084
VR-48-122	250	48	122-1/2	3,000	114.1	3,353
VR-48-146	250	48	146-1/2	3,590	138.2	4,061
VR-54-125	250	54	125-1/2	3,450	147.7	4,338
VR-54-149	250	54	149-1/2	4,120	178.3	5,239
VR-54-175	250	54	175-1/2	4,840	211.5	6,214
VR-60-152	250	60	152-1/2	4,670	224.1	6,585
VR-60-178	250	60	178-1/2	5,470	265.3	7,794
VR-60-202	250	60	202-1/2	6,210	303.2	8,909
VR-72-158	250	72	158-5/8	7,270	331.2	9,731
VR-72-184	250	72	184-5/8	8,470	390.4	11,469
VR-72-208	250	72	208-5/8	9,580	445.0	13,073
VR-84-164	250	84	164-3/4	10,560	462.5	13,588
VR-84-190	250	84	190-3/4	12,240	542.9	15,951
VR-84-214	250	84	214-3/4	13,790	617.2	18,132
VR-96-196	250	96	196-3/4	14,430	728.6	21,406
VR-96-220	250	96	220-3/4	16,200	826.0	24,268

MODEL NUMBER	SHELL LGTH L	HEAD DEPTH HD	NOZZLE / COUPLING NPS ⁽⁴⁾⁽⁵⁾⁽⁶⁾							NOZZLE LOCATION		LEGS QTY
			LIQ IN A	PURGE (Cplg) B	RELIEF (Cplg) C	EQUAL -IZER E	LIQ OUT F	LEVEL COLUMN G	DRAIN (Cplg) H	FL	GL	
VR-24-112	96	8-3/16	2	1/2	3/4	3/4	1-1/4	1-1/4	3/4	3	3	3
VR-24-136	120	8-3/16	2	1/2	3/4	3/4	1-1/4	1-1/4	3/4	3	3	3
VR-30-113	94	9-11/16	2 1/2	1/2	3/4	1	1-1/4	1-1/4	3/4	3	3	3
VR-30-137	118	9-11/16	2 1/2	1/2	3/4	1	1-1/4	1-1/4	3/4	3	3	3
VR-36-116	94	11-3/16	3	1/2	3/4	1	1-1/2	1-1/4	3/4	3	3	4
VR-36-140	118	11-3/16	3	1/2	3/4	1	1-1/2	1-1/4	3/4	3	3	4
VR-42-119	94	12-11/16	3	1/2	3/4	1-1/4	1-1/2	1-1/4	3/4	3	3	4
VR-42-143	118	12-11/16	3	1/2	3/4	1-1/4	1-1/2	1-1/4	3/4	3	3	4
VR-48-122	94	14-1/4	4	1/2	3/4	1-1/4	2	1-1/4	3/4	3	3	4
VR-48-146	118	14-1/4	4	1/2	3/4	1-1/4	2	1-1/4	3/4	3	3	4
VR-54-125	94	15-3/4	5	3/4	3/4	1-1/2	2-1/2	1-1/4	1	4	3	4
VR-54-149	118	15-3/4	5	3/4	3/4	1-1/2	2-1/2	1-1/4	1	4	3	4
VR-54-175	144	15-3/4	5	3/4	3/4	1-1/2	2-1/2	1-1/2	1	4	3	4
VR-60-152	118	17-1/4	6	3/4	3/4	1-1/2	3	1-1/2	1	4	3	4
VR-60-178	144	17-1/4	6	3/4	3/4	1-1/2	3	1-1/2	1	4	3	4
VR-60-202	168	17-1/4	6	3/4	3/4	1-1/2	3	1-1/2	1	4	3	4
VR-72-158	118	20-5/16	8	3/4	1	2	4	1-1/2	1	5	3	4
VR-72-184	144	20-5/16	8	3/4	1	2	4	1-1/2	1	5	3	4
VR-72-208	168	20-5/16	8	3/4	1	2	4	1-1/2	1	5	3	4
VR-84-164	118	23-3/8	10	1	1	2-1/2	5	1-1/2	1	6	3	4
VR-84-190	144	23-3/8	10	1	1	2-1/2	5	1-1/2	1	6	3	4
VR-84-214	168	23-3/8	10	1	1	2-1/2	5	1-1/2	1	6	3	4
VR-96-196	144	26-3/8	10	1	1	3	5	1-1/2	1	6	3	4
VR-96-220	168	26-3/8	10	1	1	3	5	1-1/2	1	6	3	4

Q-NET™ network technology...

make the connection with QUANTUM™!

Preengineering = Lower Cost
Totally distributed units means remote control using single cable
Upgradeable



- System integration is what we do...
 - Q-NET™ supports open-protocols for your SCADA system (i.e. Allen Bradley DF1 and Modbus ASCII)
 - Q-NET™ connects for local or remote access
 - Q-NET™ can be applied to both new and existing systems
- Q-NET™ means precise control 24 hours a day, seven days a week
- Q-NET™ distributed architecture means faster, easier, economical installations
- Q-NET™ delivers increased operating efficiency and lowers energy costs

Now available on Frick's ACUair® hygienic air handlers, PowerFlow™ condensers, screw compressors, evaporators, and refrigerant vessels, too.

For more information on how Q-NET™ Network Technology can enhance the performance of your job site, contact Frick® Controls at 717-762-2121 or visit our website (www.frickcold.com) for a complete listing of Frick sales offices and Frick Factor Distributors.

Take full advantage of Q-NET™ technology with all Frick® products!



YORK Refrigeration
100 CV Avenue • P.O. Box 997 • Waynesboro, Pennsylvania USA 17268-0997
Phone: 717-762-2121 • FAX: 717-762-8624 • www.frickcold.com

Subject To Change Without Notice

© 2002, YORK Refrigeration