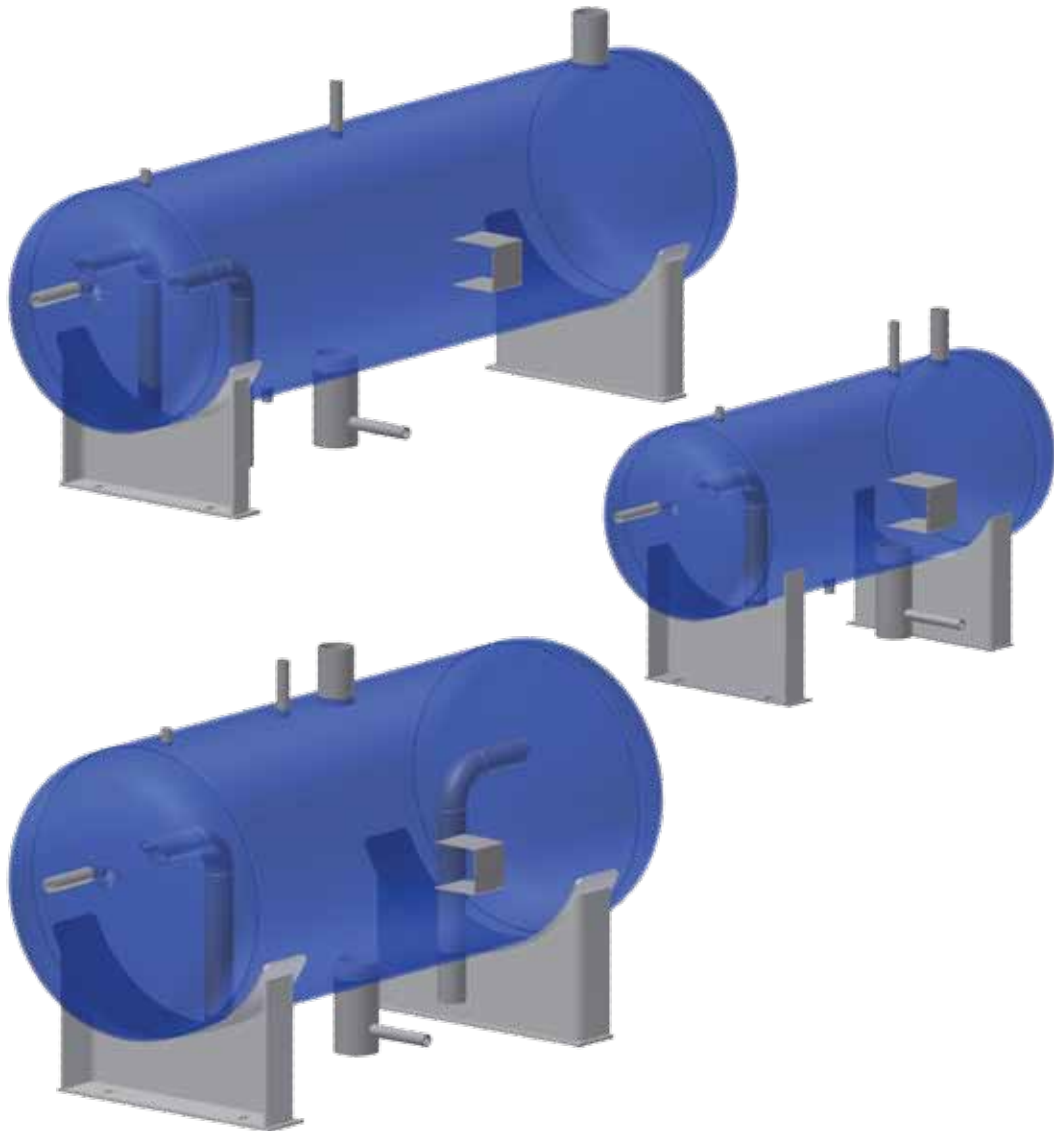
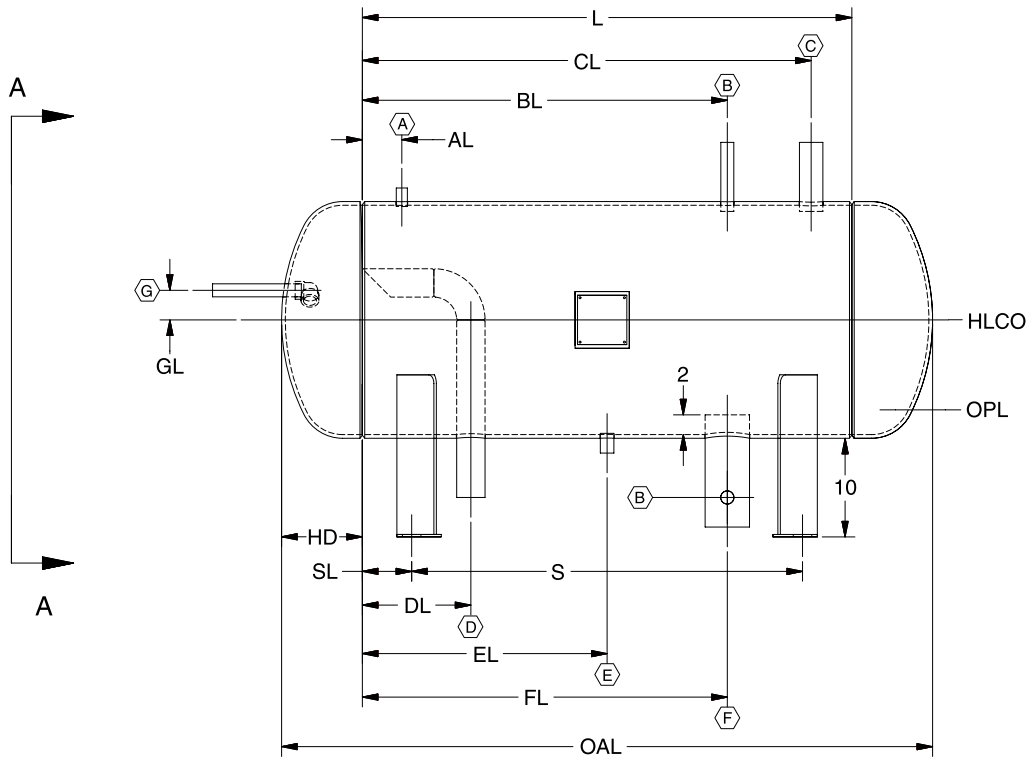


AcuAir HORIZONTAL SURGE DRUM

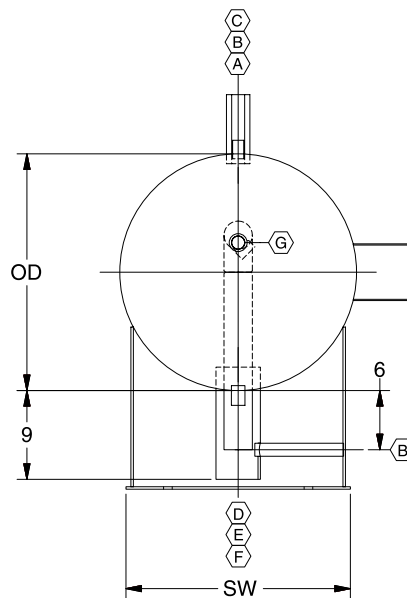




MODELS
AA-10
AA-15
AA-20

Key to Nozzle/Coupling Locations:

- A - Relief (Coupling)
- B - Level Column
- C - Gas Outlet
- D - Wet Return
- E - Drain (Coupling)
- F - Liquid Outlet
- G - Liquid Makeup
- OD - Outside Diameter
- HD - Head Depth
- L - Shell Length
- OAL - Overall Length
- OPL - Operating Level
- HLCO - High Level Cutout
- S - Saddle Separation
- SL - Left Saddle
- SW - Saddle Width



VIEW A-A

NOTES:

1. All dimensions and nozzle nominal pipe sizes are given in inches unless noted otherwise.
2. Operating charge at OPL is based on ammonia @ +30°F RT.
3. Nozzle connections are supplied as pipe stubs unless otherwise specified as a coupling (Cplg).
4. Couplings are ASME B16.11 Class 3000 "full" couplings.
5. Nozzles are sized for R-717 and should not be used with other refrigerants (e.g. R-507).
6. Nameplate bracket is approximately 6 inches deep to allow for insulation.
7. All dimensions are subject to change; please consult factory for certified drawings.
8. Vessels are built in accordance with ASME Boiler & Pressure Vessel Code, Section VIII, Division 1.

Figure 1. Data and Dimensions

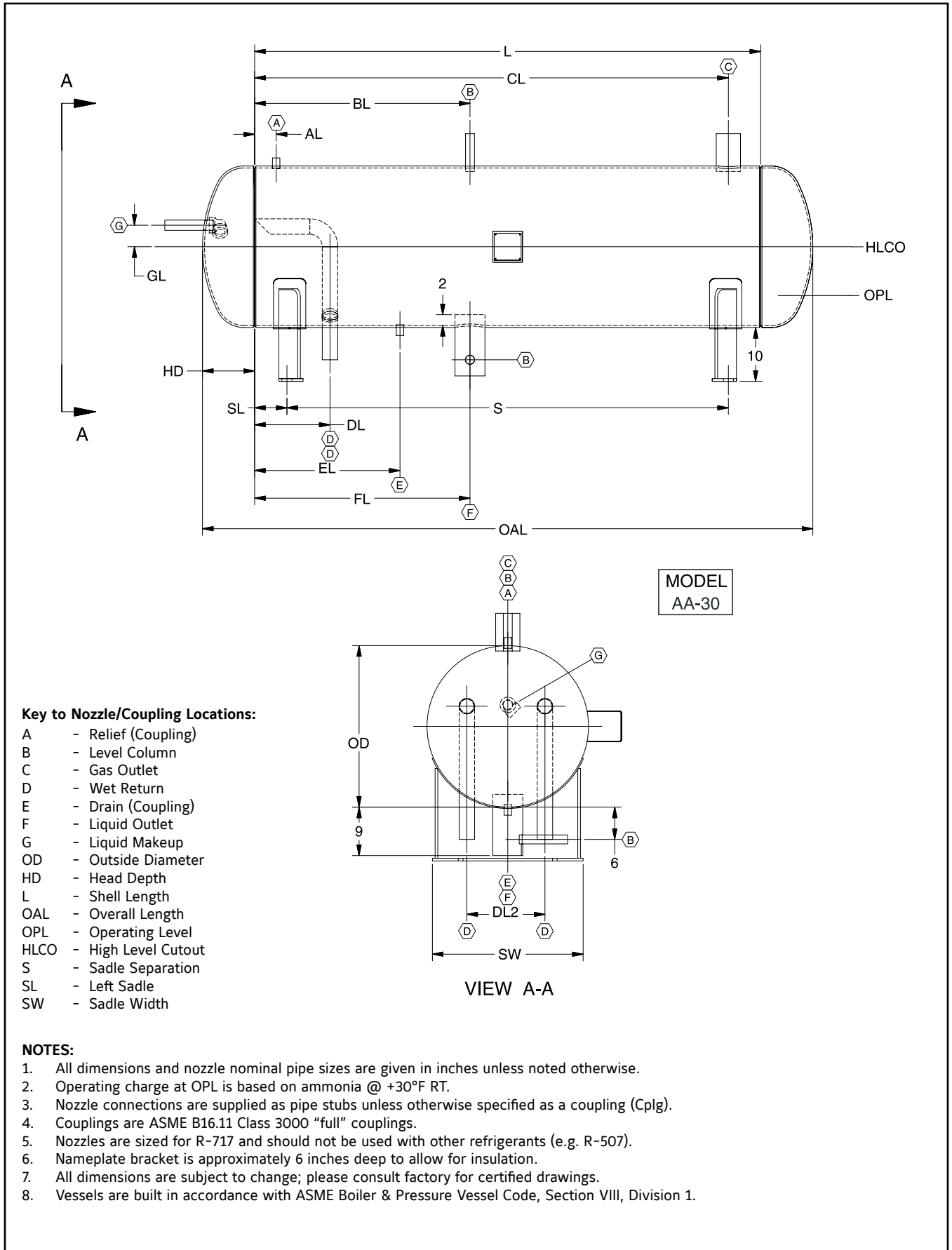


Figure 2. Data and Dimensions

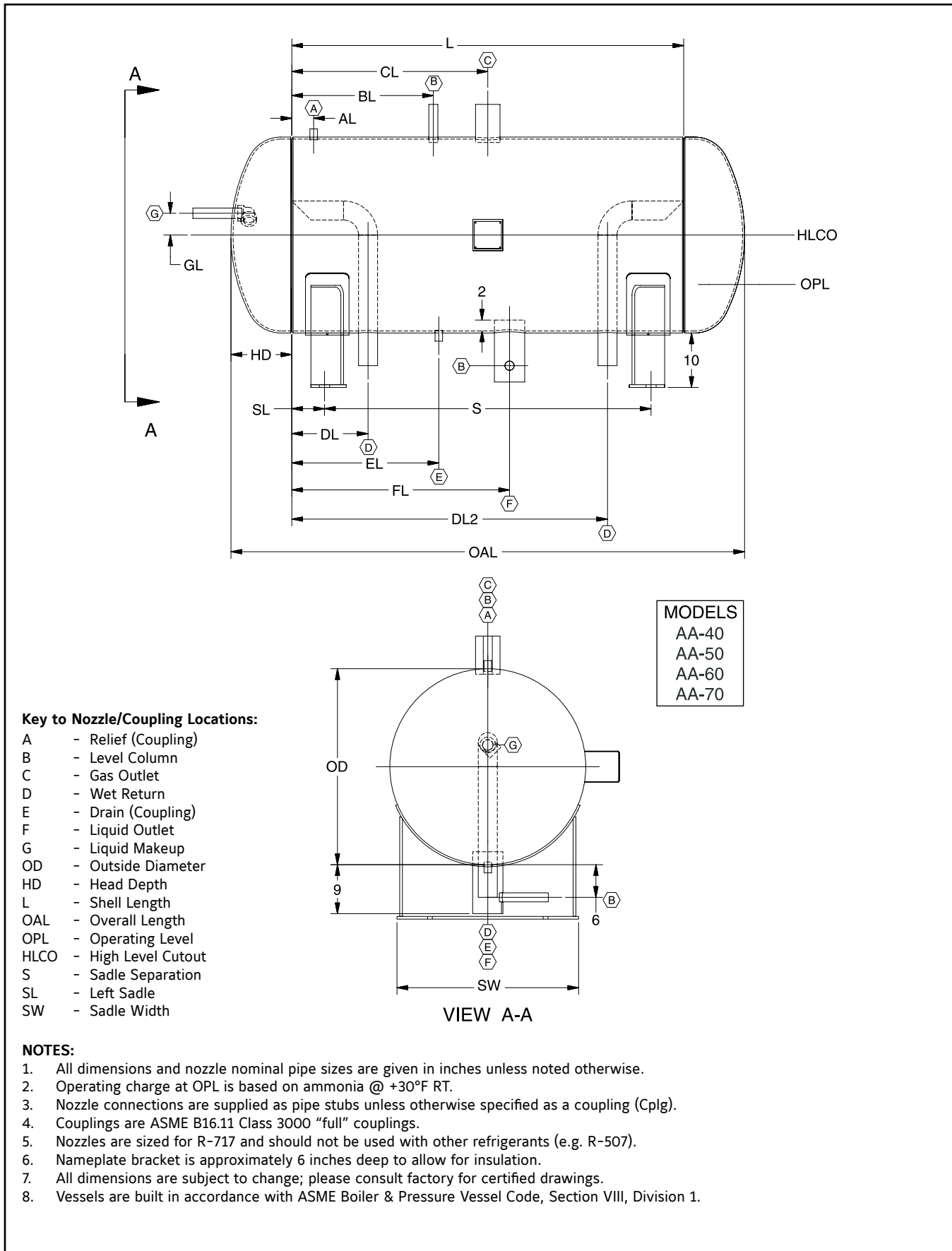


Figure 3. Data and Dimensions

DIMENSIONAL DATA

AcuAir Model	Surge Drum Model Number	Fig. Ref. No.	M A W P	OD	OAL	HD	L	Uninsulated Dry Wt (lbm)	R-717 Operating Charge (lbm)	Weight (lbm) w/Max Charge	Surge Vol. (cu-ft)	O P L	H L C O	A†	B†	C†
AA-10	AHSD-24-66	1	300	24	66	8 ³ / ₁₆	49 ⁵ / ₈	610	82.3	920	5.48	5	12	1/2	1	2
AA-15	AHSD-24-78	1	300	24	78	8 ³ / ₁₆	61 ⁵ / ₈	720	99.0	1,090	6.54	5	12	1/2	1	2½
AA-20	AHSD-24-96	1	300	24	96	8 ³ / ₁₆	79 ⁵ / ₈	880	123.9	1,330	8.13	5	12	1/2	1	3
AA-30	AHSD-30-113	2	250	30	113 ³ / ₈	9 ¹¹ / ₁₆	94	1,310	341.6	2,150	12.41	8	15	3/4	1¼	3
AA-40	AHSD-36-94	3	250	36	94 ³ / ₈	11 ³ / ₁₆	72	1,300	365.5	2,300	15.64	9	18	3/4	1¼	4
AA-50	AHSD-36-116	3	250	36	116 ³ / ₈	11 ³ / ₁₆	94	1,610	459.7	2,850	19.50	9	18	3/4	1¼	4
AA-60	AHSD-36-140	3	250	36	140 ³ / ₈	11 ³ / ₁₆	118	1,940	562.6	3,460	23.70	9	18	3/4	1¼	4
AA-70	AHSD-42-119	3	250	42	119 ³ / ₈	12 ¹¹ / ₁₆	94	1,920	596.2	3,650	28.31	10	21	3/4	1¼	5

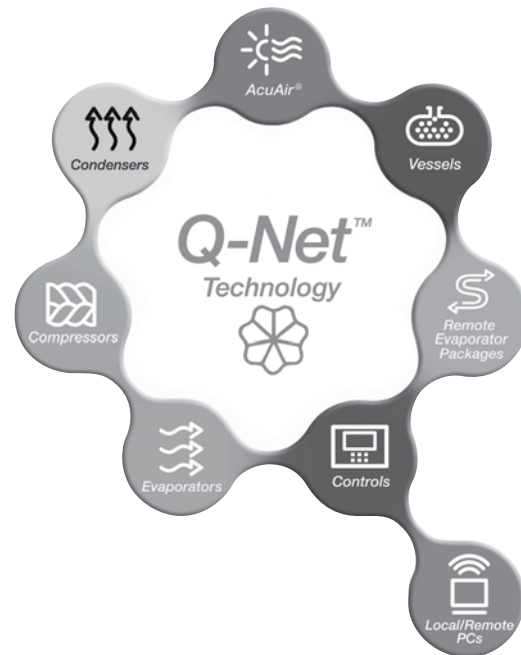
AcuAir Model	Model Number	D† (*2X)	E†	F†	G†	AL	BL	CL	DL (*2X)	DL2	EL	FL	GL	OPL	HLCO	S	SL	SW
AA-10	AHSD-24-66	2½	1	4	1	4	37	45.5	11	N/A	24 ¹³ / ₁₆	37	3	5	12	39 ⁵ / ₈	5	22¾
AA-15	AHSD-24-78	2½	1	4	1	4	38	56.5	12	N/A	25	38	3	5	12	51 ⁵ / ₈	5	22¾
AA-20	AHSD-24-96	3	1	4	1¼	4	39	74.5	13	N/A	26	39	3	5	12	69 ⁵ / ₈	5	22¾
AA-30	AHSD-30-113	2½*	1	5	1¼	4	40	88	14*	12	27	40	4	8	15	82	6	28
AA-40	AHSD-36-94	3*	1	5	1½	4	26	36	14	58	27	40	4	9	18	59½	6¼	33 ³ / ₈
AA-50	AHSD-36-116	3*	1	6	1½	4	34	47	14	80	27	40	4	9	18	81½	6¼	33 ³ / ₈
AA-60	AHSD-36-140	3*	1	6	2	4	40	59	14	104	27	40	4	9	18	105½	6¼	33 ³ / ₈
AA-70	AHSD-42-119	4*	1	6	2	4	36	47	16	78	29	42	5	10	21	79½	7¼	38 ⁵ / ₈

† Nozzle/ Coupling NPS (see footnotes 3, 4, 5)

Q-NET™ network technology...

Connect Your PC
with QUANTUM™LX!

*Take full advantage of Q-NET™
technology with all Frick products!*



System integration is what we do...

- Q-NET™... supports open-protocols for SCADA systems (i.e. Allen-Bradley® DF1, Modbus RTU, Modbus ASCII, and Industrial Ethernet Protocols)
- Q-NET™... connects instantly for local or remote access; no software required
- Q-NET™... can be applied to both new and existing systems
- Q-NET™ means precise control 24 hours a day, seven days a week
- Q-NET™ distributed architecture mean faster, easier, economical installations
- Q-NET™ delivers increased operating efficiency and lowers energy costs

Available on Frick screw compressors, condensers, evaporators, AcuAir® hygienic air handlers, and refrigerant vessels.