

Applied Chiller Parts

Applied Equipment YORK® Genuine Parts Catalog

Maintenance Kits



YORK® equipment deserves YORK® parts.

The power behind **your mission**





Table of Contents

New Kit Offerings	3
Water Cooled Centrifugal Chillers	4-28
YK.....	5-15
YT.....	16-19
YMC ²	20-26
YZ.....	27-28
Water Cooled Screw Chillers	29-31
YVWA.....	30-31
Legacy & Other Chillers	32-34
Rotary Screw Chillers	35-39
YS.....	36
YR.....	37-39
Absorption	40
YIA & YPC.....	40
Industrial	41-44
YK-EP & YD.....	42
YZD.....	43
MULTISTAGE.....	44
Air Cooled Screw Chillers	45-47
YVAA & YVFA.....	46-50
YCIV & YCAV.....	51
Air Cooled Scroll Chillers	52-53
YLAA.....	53
YCAL & QTC.....	53
Air Cooled Centrifugal Chillers	54-55
YVAM.....	55
Miscellaneous	56
Tools & Supplies	56-57
Genuine Oil	58-61

Introducing Proactive Maintenance Kits

This catalog contains not only the **preventative** maintenance kits needed to complete required maintenance but also kits designed for **proactive** maintenance.

- **Preventative** Maintenance Kits contain components that are required to comply with warranty and ensure the continued performance of your equipment as dictated by the applicable Operations and Maintenance guide on [Chillers Knowledge Exchange](#) for OEM-required maintenance schedules and details.
- **Proactive** Maintenance Kits contain components recommended by YORK® as a part of the holistic maintenance approach on your chiller to limit unplanned downtime.

Our new **Proactive** Maintenance Kits:

- Contain parts critical to keep your chiller operating and running efficiently. The recommended replacement intervals* are YORK®'s recommendation for when to replace the part before it fails to ensure you can control when your chiller is down.
- Include multiple quantities of similar components such as pressure transducers or water temperature sensors. By replacing corresponding parts all at once, you can avoid multiple unplanned downtime sessions and repeated service calls.
- Are segmented by which items require refrigerant charge to be removed from the chiller vs which can be applied without removing charge to allow you to decide the risk you want to carry vs the cost and downtime associated with each service related to these kits.

** Specific service intervals can be impacted by installation, usage, electrical power quality, environmental conditions, and maintenance performed.*

Chiller technology is always evolving, and YORK® regularly upgrades products to take advantage of new technologies. In many cases, these upgrades are backward compatible with previously manufactured chillers. When ordering a **proactive** replacement kit, you will receive the latest technology compatible with your specific chiller.

Whether you choose to proactively replace these critical components before they fail or choose to have these parts on hand to be able to react quickly in the event of a failure, **proactive** parts kits should be part of your overall chiller maintenance strategy.



Increase uptime

A proactive approach maximizes uptime by avoiding equipment failures and minimizes the risk of needing emergency repairs.



Reduce total cost of ownership

Minimize the unplanned costs of emergency repairs, such as overtime labor, expedited shipping and lost productivity



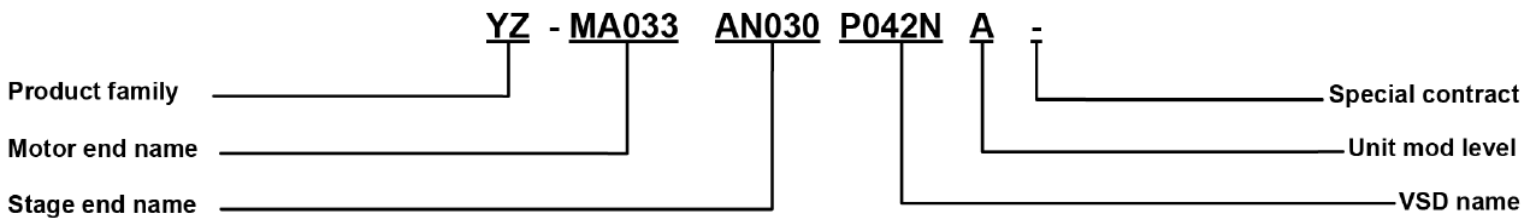
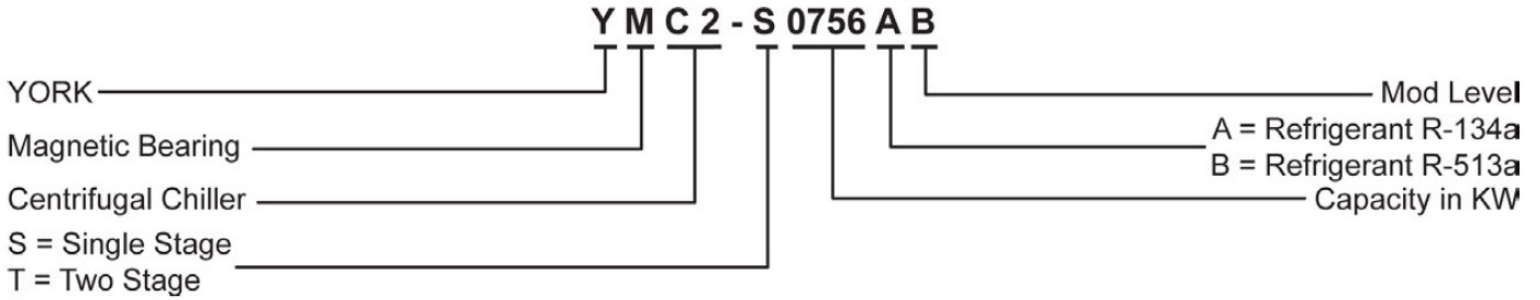
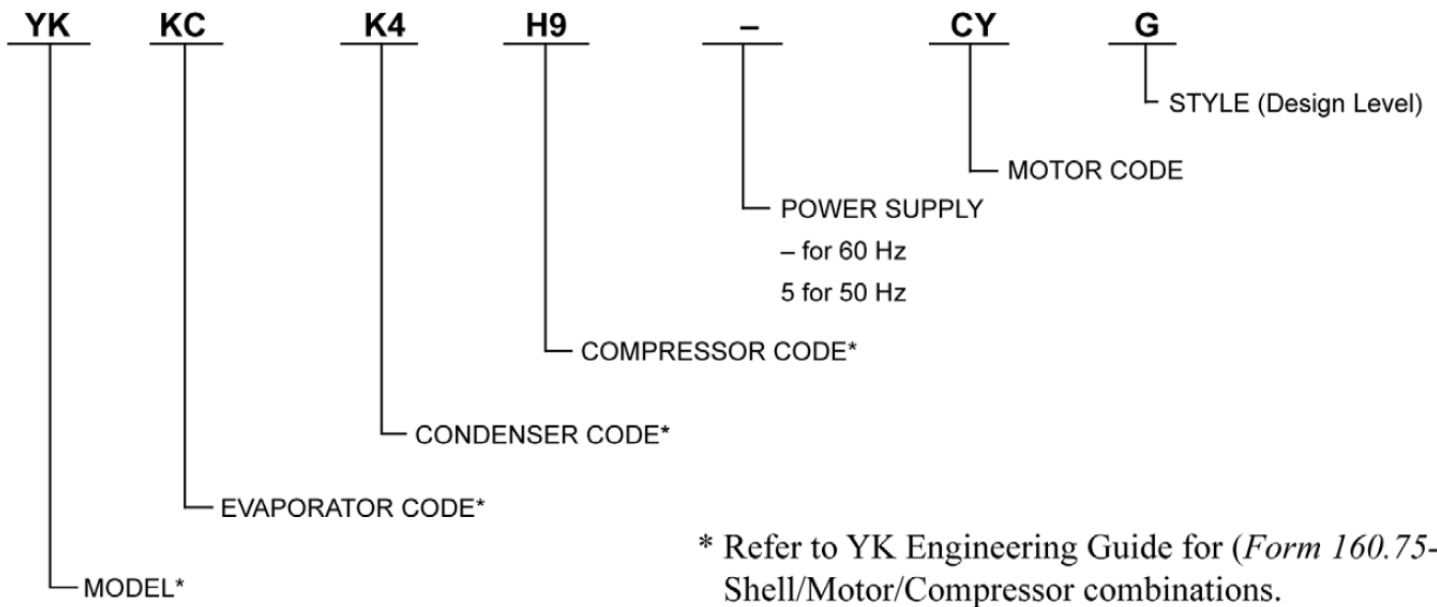
Manage risk

Coordinate service with parts availability and planned chiller downtime to avoid disruption to building and business operations.



Increase staff efficiency

Spend more time running your facility and less time reacting to chiller emergencies.



Kit PN	Kit Type	Kit Name & Applicable Models	Kit Contents		
			Item Part Number	Item Description	Qty
025 37840 001	Valve	<p>Solenoid valve body rebuild kit (YK Mod F, G, H)</p> <p>This kit can be used to rebuild the solenoid valve (025 47111 001) when full replacement is not desired. The solenoid valve coil can also be replaced (part number 025 47112 000, order separately).</p> <p>Proactive replacement recommendation: every 29,200 run hours or every 5 years</p>		Diaphragm Assembly	1
				O-ring for Armature Tube	1
				Screw T20	4
				Screw T15	4
				Armature Assembly	1
				Rubber Gasket	1
				O-Ring for Steel Cover	1
				Support Ring	1
				Compress Spring	1
325 47111 601	Valve	<p>Solenoid valve and o-ring replacement kit (YK Mod F & G)</p> <p>This kit includes a new solenoid valve and o-rings necessary for replacing the entire valve assembly (coil included).</p> <p>Proactive replacement recommendation: every 29,200 run hours or every 5 years</p>	025 47111 001	Valve, Solenoid	1
			028 12961 012	Seal, O-Ring	2
325 47111 606	Valve	<p>Solenoid valve and o-ring replacement kit (YK Mod H)</p> <p>This kit includes a new solenoid valve and o-rings necessary for replacing the entire valve assembly (coil included).</p> <p>Proactive replacement recommendation: every 29,200 run hours or every 5 years</p>	025 47111 006	Valve, Solenoid	1
			028 12961 012	Seal, O-Ring	2
366 94952 609	Sensors	<p>YK Mod F 5 year proactive kit</p> <p>This is a bundled offering that contains many of the items recommended for replacement around the 5 year period of operation; note items requiring refrigerant charge to be removed are not included in this kit.</p> <p>Proactive replacement recommendation: every 29,200 run hours or every 5 years</p>	325 29964 604	Kit, Water Temperature Sensor Replacement	1
			325 43553 600	Sensor, Flow	1
			371 02012 001	Kit, PRV Position Sensor	1
			025 47112 000	Valve Coil, Oil Return Solenoid	1
366 94952 607	Sensors	<p>YK Mod G 5 year proactive kit</p> <p>This is a bundled offering that contains many of the items recommended for replacement around the 5 year period of operation; note items requiring refrigerant charge to be removed are not included in this kit.</p> <p>Proactive replacement recommendation: every 29,200 run hours or every 5 years</p>	325 29964 604	Kit, Water Temperature Sensor Replacement	1
			325 41573 600	Kit, YK Evaporator and Condenser Flow Sensor	1
			371 08104 001	Kit, PRV/VGD Position Sensor	1
			025 47112 000	Valve Coil, Oil Return Solenoid	1

Kit PN	Kit Type	Kit Name & Applicable Models	Kit Contents		
			Item Part Number	Item Description	Qty
366 94952 611	Sensors	YK Mod H 5 year proactive kit	325 29964 604	Kit, Water Temperature Sensor Replacement	1
		This is a bundled offering that contains many of the items recommended for replacement around the 5 year period of operation; note items requiring refrigerant charge to be removed are not included in this kit. Proactive replacement recommendation: every 29,200 run hours or every 5 years	325 41573 600	Kit, Flow Sensor YK Mod H	1
			371 08104 001	Kit, PRV Position Sensor	1
			025 47112 000	Valve Coil, Oil Return Solenoid	1
325 29964 604	Sensors	Water temperature sensor kit containing all sensors on the water side of the chiller (YK Mod F, G, H)	025 29964 002	Sensor, Temperature	4
		Proactive replacement recommendation: every 35,040 run hours or every 6 years	013 00898 000	Compound, Heat Conductive	1
366 94952 615	Sensors	Refrigerant temperature sensor and high pressure cut out switch kit (YK Mod F) Non J7 compressor / Manufactured before August 2003	325 37890 200	HPCO Switch Kit	1
		This kit contains the two common items that may be proactively replaced when charge has been pulled from the unit. Avoid unplanned down time and the expense of removing charge by proactively replacing both components. Proactive replacement recommendation: every 35,040 hours or every 6 years	325 34159 000	Kit, Temp Sensor	1
			325 37831 000	Kit, Temp Sensor	1
			325 47588 006	Kit, Level Sensor	1
366 94952 616	Sensors	Refrigerant temperature sensor and high pressure cut out switch kit (YK Mod F) J7 compressor / manufactured in August 2003 or later	325 37890 200	HPCO Switch Kit	1
		This kit contains the two common items that may be proactively replaced when charge has been pulled from the unit. Avoid unplanned down time and the expense of removing charge by proactively replacing both components. Proactive replacement recommendation: every 35,040 hours or every 6 years	325 34159 000	Kit, Temp Sensor	1
			325 39517 000	Kit, Temp Sensor	1
			325 47588 008	Kit, Level Sensor	1

Kit PN	Kit Type	Kit Name & Applicable Models	Kit Contents		
			Item Part Number	Item Description	Qty
366 94952 617	Sensors	Refrigerant temperature sensor and high pressure cut out switch kit (YK Mod F) J7 compressor / Manufactured before August 2003 This kit contains the two common items that may be proactively replaced when charge has been pulled from the unit. Avoid unplanned down time and the expense of removing charge by proactively replacing both components. Proactive replacement recommendation: every 35,040 hours or every 6 years	325 37890 200	HPCO Switch Kit	1
			325 34159 000	Kit, Temp Sensor	1
			325 37831 000	Kit, Temp Sensor	1
			325 47588 008	Kit, Level Sensor	1
366 94952 618	Sensors	Refrigerant temperature sensor and high pressure cut out switch kit (YK Mod F) Non J7 compressors / Manufactured in August 2003 or later This kit contains the two common items that may be proactively replaced when charge has been pulled from the unit. Avoid unplanned down time and the expense of removing charge by proactively replacing both components. Proactive replacement recommendation: every 35,040 hours or every 6 years	325 37890 200	HPCO Switch Kit	1
			325 34159 000	Kit, Temp Sensor	1
			325 39517 000	Kit, Temp Sensor	1
			325 47588 006	Kit, Level Sensor	1
325 40393 601	Sensors	Refrigerant temperature sensor and high pressure cut out switch kit (YK Mod G) P8, P9, H9, and K compressors This kit contains the two common items that may be proactively replaced when charge has been pulled from the unit. Avoid unplanned down time and the expense of removing charge by proactively replacing both components. Proactive replacement recommendation: every 35,040 hours or every 6 years	025 29964 002	Sensor, Temperature, Entering Water Temp and Leaving Water Temp	1
			325 40393 000	Switch, High Pressure Cutout	1
325 40393 602	Sensors	Refrigerant temperature sensor and high pressure cut out switch kit (YK Mod G) Q3-Q7 and P7 compressors This kit contains the two common items that may be proactively replaced when charge has been pulled from the unit. Avoid unplanned down time and the expense of removing charge by proactively replacing both components. Proactive replacement recommendation: every 35,040 hours or every 6 years	025 39517 000	Sensor, Temperature, Refrigerant	1
			028 12961 006	O-ring, Neoprine	1
			325 40393 000	Switch, High Pressure Cutout	1

Kit PN	Kit Type	Kit Name & Applicable Models	Kit Contents		
			Item Part Number	Item Description	Qty
366 94952 619	Sensors	Refrigerant temperature sensor and high pressure cut out switch kit (YK Mod H) This kit contains the two common items that may be proactively replaced when charge has been pulled from the unit. Avoid unplanned down time and the expense of removing charge by proactively replacing both components. Proactive replacement recommendation: every 35,040 hours or every 6 years	325 40393 000	Switch, High Pressure Cut Out	1
			025 39517 000	Sensor, Temperature Refrigerant	1
			325 47588 006	Kit, Level Sensor	1
			028 12961 006	Seal, O-ring	1
325 41573 600	Sensors	Evaporator and condenser flow sensor replacement kit (YK Mod G & H) Proactive replacement recommendation: every 40,880 run hours or every 7 years	025 41573 000	Sensor, Flow	2
			025 42799 000	Connector, Micro 5 pole	2
325 43553 600	Sensors	Evaporator and condenser flow sensor replacement kit (YK Mod F) Proactive replacement recommendation: every 40,880 run hours or every 7 years	025 43553 000	Sensor, Flow	2
			025 42799 000	Connector, Micro 5 pole	2
371 08104 001	Sensors	PRV / VGD Position Sensor Replacement (YK Mod G & H) Proactive replacement recommendation: inspect & replace if necessary every 40,880 run hours or every 7 years	071 08104 002	Cover, Position Sensor	1
			371 08104 007	Bracket, Support, Upper VGD	1
			021 13757 000	Screw, Tapping, Thread Forming	2
			025 49284 000	Potentiometer, Position Sensing	1
			571 05914 005	Cable, VGD Sensor	1
			029 24196 000	Coupling, Shaft, Flexible	1
			025 18167 000	Cable Tie	1
			021 18487 000	Screw/Washer Assembly (SEMS)	2
371 02012 001	Sensors	PRV / VGD Position Sensor Replacement (YK Mod F) Proactive replacement recommendation: inspect & replace if necessary every 40,880 run hours or every 7 years	071 02012 002	Cover, Position Sensor	1
			371 02012 209	Bracket, Support, Upper VGD	1
			021 13757 000	Screw, Tapping, Thread Forming	2
			025 32570 000	Potentiometer, Position Sensing	1
			025 09080 000	Bushing, Strain Relief	1
			571 02012 005	Cable, VGD Sensor	1
			029 24196 000	Coupling, Shaft, Flexible	1
			021 18674 000	Socket, Screw Cap	2
			021 08292 000	Washer, Coil Spring	2
			025 18167 000	Cable Tie	1
			071 02012 006	Cap, PRV Sensor	1
			021 18487 000	Screw/Washer Assembly (SEMS)	2

Kit PN	Kit Type	Kit Name & Applicable Models	Kit Contents		
			Item Part Number	Item Description	Qty
375 49340 101	Actuator	PRV Motor Actuator Replacement Kit (YK Mod F, G, H) Q3-Q7, P1-P5, H5-H8 Compressors Note: if the compressor has a VGD, a total of 2 kits are required - one for the PRV actuator and one for the VGD actuator. Proactive replacement recommendation: inspect & replace if necessary every 40,880 run hours or every 7 years	025 17175 002	Motor Actuator (PRV/VGD)	1
			575 49340 201	Harness	1
			366 87030 000	Varistor Metal Oxide (MOV)	2
375 49340 103	Actuator	PRV Motor Actuator Replacement Kit (YK Mod F, G, H) K1-K4, P8-P9, H9, J1-J5 Compressors Note: if the compressor has a VGD, a total of 2 kits are required - one for the PRV actuator and one for the VGD actuator. Proactive replacement recommendation: inspect & replace if necessary every 40,880 run hours or every 7 years	025 29567 002	Motor Actuator (PRV/VGD)	1
			575 49340 201	Harness	1
			366 87030 000	Varistor Metal Oxide (MOV)	2
375 49340 105	Actuator	PRV Motor Actuator Replacement Kit (YK Mod F, G, H) K7 & J7 Compressors Note: if the compressor has a VGD, a total of 2 kits are required - one for the PRV actuator and one for the VGD actuator. Proactive replacement recommendation: inspect & replace if necessary every 40,880 run hours or every 7 years	025 40490 001	Motor Actuator (PRV/VGD)	1
			575 49340 201	Harness	1
			031 00808 000	Surge Suppressor	2
			025 19407 000	Terminal, Spring, Spade	2
			025 18732 000	Terminal, Spring, Spade	1
			025 15207 000	Insulated Shrink Tubing	1
325 38180 001	Actuator	Hot gas bypass replacement actuator kit (YK Mod G) Proactive replacement recommendation: every 58,400 run hours	025 38180 000	Actuator, Electric	1
			075 52089 000	Pin, Actuator	1
			021 32004 501	Nut, Hex Heavy	1
			021 3204 503	Washer, Plain	1
			013 01678 000	Sealer, Removable Thread	1
			021 30678 000	Lockwasher, Helical Spring	1
366 94952 613	Transducers	Pressure transducer replacement kit (YK Mod F) This kit contains all pressure transducers and o-rings to maximize downtime by replacing all transducers at once. Proactive replacement recommendation: every 58,400 run hours or every 10 years	025 28678 006	Transducer, Pressure, Oil	3
			025 28678 112	Transducer, Pressure, Evaporator	1
			028 12961 002	Seal, O-Ring	4

Kit PN	Kit Type	Kit Name & Applicable Models	Kit Contents		
			Item Part Number	Item Description	Qty
325 28678 600	Transducers	Pressure transducer replacement kit (YK Mod G) This kit contains all pressure transducers and o-rings to maximize downtime by replacing all transducers at once. Proactive replacement recommendation: every 58,400 run hours or every 10 years	025 28678 006	Transducer, Pressure, Oil	3
			025 28678 112	Transducer, Pressure, Evaporator	1
			028 12961 002	Seal, O-Ring	4
366 94952 614	Transducers	Pressure transducer replacement kit (YK Mod H) This kit contains all pressure transducers and o-rings to maximize downtime by replacing all transducers at once. Proactive replacement recommendation: every 58,400 run hours or every 10 years	025 28678 006	Transducer, Pressure, Oil	3
			028 12961 002	Seal, O-Ring	4
			025 28678 115	Transducer, Pressure, Evaporator	1
366 94952 610	Sensors & Transducers	YK Mod F 10 year proactive kit This is a bundled offering that contains many of the items recommended for replacement around the 10 year period of operation (including parts recommended for proactive replacement around every 5 years); note items requiring refrigerant charge to be removed are not included in this kit. Proactive replacement recommendation: every 58,400 run hours or every 10 years	325 29964 604	Kit, Water Temperature Sensor Replacement	1
			325 43553 600	Kit, Flow Sensor	1
			371 02012 001	Kit, PRV Position Sensor	1
			025 47112 000	Valve Coil, Oil Return Solenoid	1
			366 94952 613	Kit, YK mod F Pressure Transducer	1
366 94952 608	Sensors & Transducers	YK Mod G 10 year proactive kit This is a bundled offering that contains many of the items recommended for replacement around the 10 year period of operation (including parts recommended for proactive replacement around every 5 years); note items requiring refrigerant charge to be removed are not included in this kit. Proactive replacement recommendation: every 58,400 run hours or every 10 years	325 29964 604	Kit, Water Temperature Sensor Replacement	1
			325 41573 600	Kit, YK Evaporator and Condenser Flow Sensor	1
			371 08104 001	Kit, PRV/VGD Position Sensor	1
			025 47112 000	Valve Coil, Oil Return Solenoid	1
			325 28678 600	Kit, Pressure Transducer	1

Kit PN	Kit Type	Kit Name & Applicable Models	Kit Contents		
			Item Part Number	Item Description	Qty
366 94952 013	PM	PM Kit for YK Style A, B, and C chillers (Single Oil Filters)	026 13508 000	Filter Drier 3/8" Male Flare	2
			028 08312 005	Kit, Replacement Gaskets & O-Rings (includes O-Ring and stem gasket)	1
			392 10719 000	Kit, Filter Spring/Element	1
366 94952 213	PM	PM Kit for YK Style A, B, and C chillers (Dual Oil Filters)	026 13508 000	Filter Drier 3/8" Male Flare	2
			028 08312 005	Kit, Replacement Gaskets & O-Rings (includes O-Ring and stem gasket)	2
			392 10719 000	Kit, Filter Spring/Element	2
366 94952 014	PM	PM Kit for YK Style D & E Chillers - Long Filter w/Spring	026 13508 000	Filter Drier 3/8" Male Flare	1
			028 08312 005	Kit, Replacement Gaskets & O-Rings (includes O-Ring and stem gasket)	1
			392 10719 000	Kit, Filter Spring/Element	1
366 94952 214	PM	PM kit for YK Style D & E Chillers - Long Filter (Dual Oil Filter configuration)	026 13508 000	Filter Drier 3/8" Male Flare	2
			028 08312 005	Kit, Replacement Gaskets & O-Rings (includes O-Ring and stem gasket)	2
			392 10719 000	Kit, Filter Spring/Element	2
366 94952 015	PM	PM kit for YK Style D & E Chillers - Short Filter	026 13508 000	Filter Drier 3/8" Male Flare	1
			364 50438 000	Kit, Oil Filter and Gasket	1
366 94952 215	PM	PM kit for YK Style D & E Chillers - Short Filter (Dual Oil Filter configuration)	026 13508 000	Filter Drier 3/8" Male Flare	1
			364 50438 000	Kit, Oil Filter and Gasket	2
366 94952 016	PM	PM Kit for YK Style F & G Chillers (shipped prior to Aug 2016)	026 37563 000	Filter Drier 3/8" ORFS	1
			028 12961 012	O-Ring, Neoprene, 0.364" ID, 0.070" Thick	2
			028 15798 000	Gasket, Oil Filter Seal	1
			364 50438 000	Kit, Oil Filter and Gasket	1
366 94952 216	PM	PM Kit for YK Style F & G Chillers (shipped prior to Aug 2016; Dual oil filter configuration)	026 37563 000	Filter Drier 3/8" ORFS	1
			028 12961 012	O-Ring, Neoprene, 0.364" ID, 0.070" Thick	2
			364 50438 000	Kit, Oil Filter and Gasket	2
366 94952 019	PM	PM Kit for YK Style G and Later Chillers w/Spin on Filter	026 37563 000	Filter Drier 3/8" ORFS	1
			326 48202 600	Kit, Oil Filter, Spin-on (includes Qty 1 each 026 48202 000 and 028 16569 000)	1
			028 12961 012	O-Ring, Neoprene, 0.364" ID, 0.070" Thick	2
366 94952 219	PM	PM Kit for YK Style G and Later Chillers w/Spin on Filters (Dual oil filter configuration)	026 37563 000	Filter Drier 3/8" ORFS	1
			326 48202 600	Kit, Oil Filter, Spin-on (includes Qty 1 each 026 48202 000 and 028 16569 000)	2
			028 12961 012	O-Ring, Neoprene, 0.364" ID, 0.070" Thick	2
026 14642 000	Oil Filter	Replacement oil filter kit		Oil filter with replacement O-Rings	1
364 50438 000	Oil Filter	Oil filter and replacement O-Ring kit for YK Style E thru Style H chillers equipped with Kaydon, Hydac, or Seubert Filter Housings (026-37589-XXX or 026-47427-XXX)	026 32831 000	Element, Oil Filter, 0.5 micron (nominal)	1
			028 14404 000	O-Ring, Neoprene, 3.484" ID, 0.139" Thick	1
			028 15082 000	Seal O-Ring	1
			035 18630 000	Instructions, Kit, Filter Element	1

Kit PN	Kit Type	Kit Name & Applicable Models	Kit Contents		
			Item Part Number	Item Description	Qty
064 54053 000	Oil	Oil analysis kit for shaft seals		Oil sample collection bottle	1
				Oil sample instructions	1
				Mailing label	1
375 65117 002	O-Ring	O-Ring replacement kit for 2" diameter Variable Orifice Valves	028 15442 115	Seal O-Ring	2
			028 15442 209	Seal O-Ring	2
			028 15442 235	Seal O-Ring	2
			028 15447 002	Washer, Thrust, for 2" Valve	1
			035 21193 000	Label, "Rebuilt with C873-70 O-Rings"	2
			SI0421	Instruction, Field Repair of Variable Orifice & Hot Gas Bypass Valve O-Rings	1
375 65117 102	O-Ring	O-Ring replacement kit for 2" diameter Hot Gas Bypass Valves	028 15442 115	Seal O-Ring	2
			028 15442 209	Seal O-Ring	2
			028 15442 226	Seal O-Ring	1
			028 15442 235	Seal O-Ring	2
			028 15447 002	Washer, Thrust, for 2" Valve	1
			035 21193 000	Label, "Rebuilt with C873-70 O-Rings"	2
			SI0421	Instruction, Field Repair of Variable Orifice & Hot Gas Bypass Valve O-Rings	1
375 65117 003	O-Ring	O-Ring replacement kit for 3" diameter Variable Orifice Valves	028 15442 212	Seal O-Ring	4
			028 15447 003	Washer, Thrust, for 3", 4", and 5" Valve	1
			028 16523 346	O-Ring, Neoprene, 4.10" ID, 0.210" Thick	2
			035 21193 000	Label, "Rebuilt with C873-70 O-Rings"	2
			SI0421	Instruction, Field Repair of Variable Orifice & Hot Gas Bypass Valve O-Rings	1
375 65117 103	O-Ring	O-Ring replacement kit for 3" diameter Hot Gas Bypass Valves	028 15442 212	Seal O-Ring	4
			028 15447 103	Washer, Thrust, for 3", 4", and 5" Valve	1
			028 16523 334	Seal, O-Ring, Neoprene	1
			028 16523 346	O-Ring, Neoprene, 4.10" ID, 0.210" Thick	2
			035 21193 000	Label, "Rebuilt with C873-70 O-Rings"	2
			SI0421	Instruction, Field Repair of Variable Orifice & Hot Gas Bypass Valve O-Rings	1

Kit PN	Kit Type	Kit Name & Applicable Models	Kit Contents		
			Item Part Number	Item Description	Qty
375 65117 004	O-Ring	O-Ring replacement kit for 4" diameter Variable Orifice Valves	028 15442 212	Seal O-Ring	4
			028 15442 430	Seal O-Ring	2
			028 15447 003	Washer, Thrust, for 3", 4", and 5" Valve	1
			035 21193 000	Label, "Rebuilt with C873-70 O-Rings"	2
			SI0421	Instruction, Field Repair of Variable Orifice & Hot Gas Bypass Valve O-Rings	1
375 65117 104	O-Ring	O-Ring replacement kit for 4" diameter Hot Gas Bypass Valves	028 15442 212	Seal O-Ring	4
			028 15442 430	Seal O-Ring	2
			028 15442 342	Seal O-Ring	1
			028 15574 103	Thrust Washer	1
			035 21193 000	Label, "Rebuilt with C873-70 O-Rings"	2
			035 21191 000	Installation instructions	1
375 65117 005	O-Ring	O-Ring replacement kit for 5" diameter Variable Orifice Valves	028 15442 212	Seal O-Ring	4
			028 15442 437	Seal O-Ring	2
			028 15447 003	Washer, Thrust, for 3", 4", and 5" Valve	1
			035 21193 000	Label, "Rebuilt with C873-70 O-Rings"	2
			SI0421	Instruction, Field Repair of Variable Orifice & Hot Gas Bypass Valve O-Rings	1
375 65117 105	O-Ring	O-Ring replacement kit for 5" diameter Hot Gas Bypass Valves	028 15442 212	Seal O-Ring	4
			028 15442 349	Seal O-Ring	1
			028 15442 437	Seal O-Ring	2
			028 15447 103	Washer, Thrust, for 3", 4", and 5" Valve	1
			035 21193 000	Label, "Rebuilt with C873-70 O-Rings"	2
			SI0421	Instruction, Field Repair of Variable Orifice & Hot Gas Bypass Valve O-Rings	1
375 65117 006	O-Ring	O-Ring replacement kit for 6" diameter Variable Orifice Valves	028 15442 215	Seal O-Ring	4
			028 15447 006	Washer, Thrust, for 6" Valve	1
			028 16523 440	O-Ring, Neoprene, 6.725" ID, 0.275" Thick	2
			035 21193 000	Label, "Rebuilt with C873-70 O-Rings"	2
			SI0421	Instruction, Field Repair of Variable Orifice & Hot Gas Bypass Valve O-Rings	1

Kit PN	Kit Type	Kit Name & Applicable Models	Kit Contents		
			Item Part Number	Item Description	Qty
375 65117 106	O-Ring	O-Ring replacement kit for 6" diameter Hot Gas Bypass Valves	028 15442 215	Seal O-Ring	4
			028 15442 429	O-Ring, Neoprene, 4.975" ID, 0.275" Thick	1
			028 15447 006	Washer, Thrust, for 6" Valve	1
			028 16523 440	O-Ring, Neoprene, 6.725" ID, 0.275" Thick	2
			035 21193 000	Label, "Rebuilt with C873-70 O-Rings"	2
			SI0421	Instruction, Field Repair of Variable Orifice & Hot Gas Bypass Valve O-Rings	1
364 51539 000	Compressor	Maintenance Kit for Straight Thread Oil Supply Port on YK Compressors HA/HC 41-50 and HB/HC 57-61 See SI0016 for additional details	028 12258 000	O-Ring, Neoprene, 5.609" ID 0.139" thick	1
			028 12961 003	O-Ring, Neoprene, 0.468" ID, 0.078" Thick	1
			029 22428 001	Seal, Double Shaft G & H Model	1
364 51540 000	Compressor	Maintenance Kit for Straight Thread Oil Supply Port on YK Compressors HG 65-73 and HA 65-104 See SI0016 for additional details	028 12224 000	O-Ring, Neoprene, 6.484" ID 0.139" thick	1
			028 12961 003	O-Ring, Neoprene, 0.468" ID, 0.078" Thick	1
			029 22429 001	Seal, Double Shaft HA 65-104	1
366 94952 604	VSD	VSD Maintenance Kit for drives with 3.25" diameter heat exchangers Applicable models VSD351, LVD0351, LVD0424, VSD503, VSD608, LVD0503, LVD0608, VSD790	013 04128 000	Inhibitor (5 Gallon)	1
			013 04129 000	Inhibitor (1 Gallon)	1
			327 04293 600	Kit, Tube Cleaning, 3/8" & 1/4"	1
			013 04131 000	KIT, Inhibitor Validation	1
			371 03716 001	Kit, HX Gaskets	1
			035 29044 000	Instructions (160.00-O12)	1
366 94952 605	VSD	VSD Maintenance Kit for drives with 4.25" diameter heat exchangers Applicable models VSD1055 & VSD1300	013 04128 000	Inhibitor (5 Gallon)	2
			327 04293 600	Kit, Tube Cleaning, 3/8" & 1/4"	1
			013 04131 000	KIT, Inhib Validation	1
			371 03716 002	Kit, HX Gaskets	1
			035 29044 000	Instructions (160.00-O12)	1
366 94952 603	VSD	VSD Maintenance Kit for drives with 6.25" diameter heat exchangers Applicable model HYP1300	013 04128 000	Inhibitor (5 Gallon)	3
			013 04129 000	Inhibitor (1 Gallon)	3
			327 04293 600	Kit, Tube Cleaning, 3/8" & 1/4"	1
			013 04131 000	KIT, Inhibitor Validation	1
			371 08111 000	Kit, HX Gaskets	1
			371 09367 600	Smoke/CO2 Test	1
327 03593 000	VSD	Cleaner and replacement coolant kit for YORK Liquid Cooled Solid State Starters and Variable Speed Drives	013 03909 000	SSS & VSD Cleaner (5 Gallon)	1
		This kit applies to SSSs and VSDs requiring up to 3 gallons of coolant	013 04129 000	SSS & VSD Coolant (1 Gallon)	3

Kit PN	Kit Type	Kit Name & Applicable Models	Kit Contents		
			Item Part Number	Item Description	Qty
327 03593 001	VSD	Cleaner and replacement coolant kit for YORK Liquid Cooled Solid State Starters and Variable Speed Drives This kit applies to SSSs and VSDs requiring up to 6 gallons of coolant	013 03909 000	SSS & VSD Cleaner (5 Gallon)	1
			013 04128 000	SSS & VSD Coolant (5 Gallon)	1
			013 04129 000	SSS & VSD Coolant (1 Gallon)	1
327 03593 002	VSD	Cleaner and replacement coolant kit for YORK Liquid Cooled Solid State Starters and Variable Speed Drives This kit applies to SSSs and VSDs requiring up to 10 gallons of coolant	013 03909 000	SSS & VSD Cleaner (5 Gallon)	2
			013 04128 000	SSS & VSD Coolant (5 Gallon)	2
013 04131 000	VSD	VSD Coolant Validation Test Kit This kit should be used to confirm VSD coolant meets pH, molybdenum, and sodium nitrate target values after annual maintenance See 160.00-O12 for additional information	013 04132 000	Emulsion Foam Control Agent	1
			013 04135 000	Molybdenum ampoules (30 ct)	1
			013 04136 000*	Ferrion Indicator Solution (30ml)	1
			013 04137 000*	Nitrite Tritant Solution (60ml)	1
			013 04138 000*	Buffer solution (120ml)	1
			013 04139 000*	Conductivity Standard Solution (120ml)	1
			013 04140 000*	Electrode storage solution (60ml)	1
			013 04141 000	Plastic beaker, 50ml	1
			013 04142 000	Tester - pH, Conductivity, TDS, Salinity, Temperature	1
			013 04143 000	Demineralized water (50ml)	1
			013 04144 000	Plastic vial 25ml	1
			013 04145 000	Buffer solution, pH 7.00 (500ml)	1
			013 04146 000	Conductivity Standard Solution (500ml)	1
013 04147 000	Electrode storage solution (500ml)	1			
			*Available Separately as Refills		

Kit PN	Kit Type	Kit Name & Applicable Models	Kit Contents		
			Item Part Number	Item Description	Qty
325 29964 604	Sensors	Water temperature sensor kit containing all sensors on the water side of the chiller Proactive replacement recommendation: every 35,040 run hours or every 6 years	025 29964 002	Temperature Sensor	4
			013 00898 000	Compound, Heat Conductive	1

Kit PN	Kit Type	Kit Name & Applicable Models	Kit Contents		
			Item Part Number	Item Description	Qty
366 94952 009	PM	Preventative Maintenance kit for YT Style A thru G chillers not covered by part numbers 399 94952 005 thru 366 94952 007	026 11225 000	Cartridge Filter, 15 Micron	1
			026 14777 007	Filter Drier 1/2" SAE Flare	2
			028 08312 KIT	Kit, Replacement Gaskets & O-Rings (Includes 028-08312-001, 002, 003, 004, and 005)	1
			029 16764 000	Strainer, 1/4" Male Flare	1
366 94952 010	PM	Preventative Maintenance kit for YT Style H chillers	026 14777 007	Filter Drier 1/2" SAE Flare	2
			026 35961 000	Element, Oil Filter, 10 micron (nominal)	1
			028 08312 KIT	Kit, Replacement Gaskets & O-Rings (Includes 028-08312-001, 002, 003, 004, and 005)	1
			029 21710 000	Filter Drier, 3/8" SAE Flare	1
366 94952 011	PM	Preventative Maintenance kit for YT Style J chillers with long filters This kit contains a replacement element filter and gasket kit	026 14777 007	Filter Drier 1/2" SAE Flare	1
			026 32841 000	Filter Drier, 5/8" Face Seal Connection	1
			026 35961 000	Element, Oil Filter, 10 micron (nominal)	1
			028 08312 KIT	Kit, Replacement Gaskets & O-Rings (Includes 028-08312-001, 002, 003, 004, and 005)	1
			028 12709 000	Seal, Teflon Fiber, 3/4" OD	2
			029 21710 000	Filter Drier, 3/8" SAE Flare	1
366 94952 012	PM	Preventative Maintenance kit for YT Style J chillers with short filters This kit does not contain a replacement element filter and gasket kit; if those items are needed, order kit 366 94952 011	026 14777 007	Filter Drier 1/2" SAE Flare	1
			026 32841 000	Filter Drier, 5/8" Face Seal Connection	1
			026 37915 000	Element, Oil Filter, 10 micron (nominal)	1
			028 12709 000	Seal, Teflon Fiber, 3/4" OD	2
			028 14404 000	O-Ring, Neoprene, 3.484" ID, 0.139" Thick	1
			029 21710 000	Filter Drier, 3/8" SAE Flare	1
364 50439 000	Oil Filter	Oil filter and replacement o-ring for use on YT Style J Chillers with Kaydon filters (026-37589-XXX)	026 37915 000	Element, Oil Filter, 10 micron (nominal)	1
			028 14404 000	O-Ring, Neoprene, 3.484" ID, 0.139" Thick	1
			035 18631 000	Instructions, Kit, Filter Element	1

Kit PN	Kit Type	Kit Name & Applicable Models	Kit Contents		
			Item Part Number	Item Description	Qty
064 54053 000	Oil	Oil analysis kit for shaft seals		Oil sample collection bottle	1
				Oil sample instructions	1
				Mailing label	1
028 08312 KIT	O-ring	O-ring and gasket kit for oil filters	028 08312 002	Kit, Replacement Gaskets & O-Rings (Includes gasket shell, gasket cover nut, gasket vent screw, and o-ring cover nut)	1
			028 08312 003	Kit, Replacement Gaskets & O-Rings (includes 3 o-rings)	1
			028 08312 004	Kit, Replacement Gaskets & O-Rings (includes cap nut casket, shell gasket, and gasket)	1
			028 08312 005	Kit, Replacement Gaskets & O-Rings (includes o-ring and stem gasket)	1
464 47823 000	Compressor	Maintenance Kit for 6 Spring Shaft Seals Compressor Models YDTJ, LTJ, and YTJ 67-95 (Codes B1, B2, C1, C2, C3) See SI0015 for additional details	028 04519 000	O-Ring, 2-1/8" ID	2
			028 12210 000	O-Ring, 4" ID	1
			029 13770 004	Spring, Helical	6
			029 20886 000	Ring, Shaft Seal	1
			064 46755 000	Collar, Shaft Seal	1
			064 47833 000	Washer, Shaft Seal	1
464 47826 000	Compressor	Maintenance Kit for 6 Spring Shaft Seals Compressor Models YDHT, LTH, and YTH 108, 120, & 126 See SI0015 for additional details	028 10047 000	O-Ring, 2-5/8" ID	2
			028 12202 000	O-Ring, 4-5/8" ID	1
			029 13770 004	Spring, Helical	6
			029 20282 000	Ring, Shaft Seal	1
			064 47555 000	Washer, Shaft Seal	1
			064 47814 000	Collar, Shaft Seal	1
464 47828 000	Compressor	Maintenance Kit for 6 Spring Shaft Seals Compressor Models YDTK & YTK 131-144 See SI0015 for additional details	028 10838 000	O-Ring, 3-3/8" ID	2
			028 12204 000	O-Ring, 5-7/8" ID	1
			029 13770 004	Spring, Helical	6
			029 20885 000	Ring, Shaft Seal	1
			064 46814 000	Washer, Shaft Seal	1
			064 46821 000	Collar, Shaft Seal	1
464 47830 000	Compressor	Maintenance Kit for 6 Spring Shaft Seals Compressor Models YDTL 108-144 (Codes E1, E2, E3, F1, F2) See SI0015 for additional details	028 10047 000	O-Ring, 2-5/8" ID	2
			028 12205 000	O-Ring, 4-1/8" ID	1
			029 13770 004	Spring, Helical	6
			029 20282 000	Ring, Shaft Seal	1
			064 47551 000	Collar, Shaft Seal	1
			064 47555 000	Washer, Shaft Seal	1
464 50051 000	Compressor	Maintenance Kit for Bellows Style Seals Compressor Models YDTL 108-144 (Codes E1, E2, E3, F1, F2) See SI0015 for additional details	064 47551 000	Collar, Shaft Seal	1
			029 23708 000	Seal, Bellows Shaft	1
			028 10047 000	O-Ring, 2-5/8" ID	1
			028 12205 000	O-Ring, 4-1/8" ID	1
			028 14495 000	O-Ring, 2.609" ID	1

Kit PN	Kit Type	Kit Name & Applicable Models	Kit Contents		
			Item Part Number	Item Description	Qty
464 50722 000	Compressor	Maintenance Kit for Bellows Style Seals All YDTJ, LTJ, and YTJ Compressor Models See SI0015 for additional details	029 24153 000	Seal, Bellows Shaft	1
			028 12210 000	O-Ring, 4" ID	1
			028 03517 000	O-Ring 2-1/8" ID	1
			028 08681 000	O-Ring 2-1/8" ID	1
464 51525 000	Compressor	Maintenance Kit for Bellows Style Seals Compressor Models YTH 108-126 See SI0015 for additional details	029 24768 000	Seal, Bellows Shaft	1
			028 12202 000	O-Ring, 4-5/8" ID	1
			028 14495 000	O-Ring, 2.609" ID	2
464 51527 000	Compressor	Maintenance Kit for Bellows Style Seals Compressor Models YDTK 131-144 See SI0015 for additional details	029 24770 000	Seal, Bellows Shaft	1
			028 10838 000	O-Ring, 3-3/8" ID	2
			028 12204 000	O-Ring, 5-7/8" ID	1
464 24257 000	Compressor	Seal maintenance kit for LTA, LTB, LTC, and LTD Compressor Sizes 53-59 See SI0015 for additional details	028 04408 000	O-Ring, 1-3/8" ID	2
			028 11189 000	O-Ring, 3.234" ID	1
			029 08605 006	Ring, Shaft Seal	1
			029 11568 002	Spring, Helical	1
			064 12318 005	Collar	1
			064 23942 000	Cover	1
464 24258 000	Compressor	Seal maintenance kit for LTA, LTB, LTC, and LTD Compressor Sizes 67-76 & 85-95 See SI0015 for additional details	664 22929 000	Cover, Shaft	1
			028 12210 000	O-Ring, 4" ID	1
			029 11568 001	Spring, Helical	1
			029 08605 008	Ring, Shaft Seal	1
			064 12318 007	Collar	1
			028 04348 000	O-ring 1-3/4" ID	2
			035 00106 000	Instructions	1
464 29632 000	Compressor	Seal maintenance kit for LTA, LTB, LTC, and LTD Compressor Sizes 108, 120, 126 See SI0015 for additional details	028 05194 000	O-Ring, 2-5/8" ID	2
			028 10047 000	O-Ring, 2-5/8" ID	2
			029 09095 000	Spring, Helical	1
			029 09201 000	Seal, Shaft	1
			035 06466 000	Instructions	1
			064 16649 011	Collar	1
			064 16650 011	Ring	1
			081 03777 021	Gasket, Shaft Seal Cover	1
			081 03777 022	Gasket, Shaft Seal Cover	1
			081 03777 023	Gasket, Shaft Seal Cover	1
			064 22975 000	Cover	1
			064 23108 000	Gasket, 6-1/2 x 6-1/2	1
366 94952 604	VSD	VSD Maintenance Kit for drives with 3.25" diameter heat exchangers Applicable models VSD351, LVD0351, LVD0424, VSD503, VSD608, LVD0503, LVD0608, VSD790	013 04128 000	Inhibitor (5 Gallon)	1
			013 04129 000	Inhibitor (1 Gallon)	1
			327 04293 600	Kit, Tube Cleaning, 3/8" & 1/4"	1
			013 04131 000	KIT, Inhibitor Validation	1
			371 03716 001	Kit, HX Gaskets	1
			035 29044 000	Instructions (160.00-O12)	1

Kit PN	Kit Type	Kit Name & Applicable Models	Kit Contents		
			Item Part Number	Item Description	Qty
366 94952 605	VSD	VSD Maintenance Kit for drives with 4.25" diameter heat exchangers Applicable model VSD1055	013 04128 000	Inhibitor (5 Gallon)	2
			327 04293 600	Kit, Tube Cleaning, 3/8" & 1/4"	1
			013 04131 000	KIT, Inhib Validation	1
			371 03716 002	Kit, HX Gaskets	1
			035 29044 000	Instructions (160.00-012)	1
327 03593 000	VSD	Cleaner and replacement coolant kit for YORK Liquid Cooled Solid State Starters and Variable Speed Drives This kit applies to SSSs and VSDs requiring up to 3 gallons of coolant	013 03909 000	SSS & VSD Cleaner (5 Gallon)	1
			013 04129 000	SSS & VSD Coolant (1 Gallon)	3
327 03593 001	VSD	Cleaner and replacement coolant kit for YORK Liquid Cooled Solid State Starters and Variable Speed Drives This kit applies to SSSs and VSDs requiring up to 6 gallons of coolant	013 03909 000	SSS & VSD Cleaner (5 Gallon)	1
			013 04128 000	SSS & VSD Coolant (5 Gallon)	1
			013 04129 000	SSS & VSD Coolant (1 Gallon)	1
327 03593 002	VSD	Cleaner and replacement coolant kit for YORK Liquid Cooled Solid State Starters and Variable Speed Drives This kit applies to SSSs and VSDs requiring up to 10 gallons of coolant	013 03909 000	SSS & VSD Cleaner (5 Gallon)	2
			013 04128 000	SSS & VSD Coolant (5 Gallon)	2



Kit PN	Kit Type	Kit Name & Applicable Models	Kit Contents		
			Item Part Number	Item Description	Qty
325 29964 604	Sensors	Water temperature sensor kit containing all sensors on the water side of the chiller (YMC ² Mod A & B)	025 29964 002	Sensor, Temperature	4
		Proactive replacement recommendation: every 35,040 run hours or every 6 years	013 00898 000	Compound, Heat Conductive	1
366 94952 620	Sensors	YMC2 Mod A 5 year proactive kit FAA compressors	325 29964 604	Kit, Water Temperature Sensors	1
		This is a bundled offering that contains many of the items recommended for replacement around the 5 year period of operation; note items requiring refrigerant charge to be removed are not included in this kit.	325 43553 600	Kit, Flow Sensor YMC2	1
		Proactive replacement recommendation: every 29,200 run hours or every 5 years	371 05520 001	Kit, PRV Position Sensor	1
366 94952 622	Sensors	YMC2 Mod A 5 year proactive kit FAB & FAC Compressors	325 29964 604	Kit, Water Temperature Sensors	1
		This is a bundled offering that contains many of the items recommended for replacement around the 5 year period of operation; note items requiring refrigerant charge to be removed are not included in this kit.	325 43553 600	Kit, Flow Sensor YMC2	1
		Proactive replacement recommendation: every 29,200 run hours or every 5 years	371 08104 001	Kit, PRV Position Sensor	1
366 94952 624	Sensors	YMC2 Mod B 5 year proactive kit	325 29964 604	Kit, Water Temperature Sensors	1
		This is a bundled offering that contains many of the items recommended for replacement around the 5 year period of operation; note items requiring refrigerant charge to be removed are not included in this kit.	325 43553 600	Kit, Flow Sensor YMC2	1
		Proactive replacement recommendation: every 29,200 run hours or every 5 years			

Kit PN	Kit Type	Kit Name & Applicable Models	Kit Contents		
			Item Part Number	Item Description	Qty
366 94952 628	Sensors	Refrigerant temperature sensor and high pressure cut out switch kit (YMC2 Mod A) FAA Compressors This kit contains the two common items that may be proactively replaced when charge has been pulled from the unit. Avoid unplanned down time and the expense of removing charge by proactively replacing both components. Proactive replacement recommendation: every 35,040 hours or every 6 years	325 40393 000	Switch, High Pressure Cut Out	1
			025 41904 000	Sensor, Temperature, Evap	1
			025 39517 000	Sensor, Temperature, Refrigerant	1
			325 47588 006	Kit, Level Sensor	1
366 94952 629	Sensors	Refrigerant temperature sensor and high pressure cut out switch kit (YMC2 Mod A & B) YMC2 Mod A: FAB & FAC Compressors YMC2 Mod B: All Mod Compressors This kit contains the two common items that may be proactively replaced when charge has been pulled from the unit. Avoid unplanned down time and the expense of removing charge by proactively replacing both components. Proactive replacement recommendation: every 35,040 hours or every 6 years	025 43936 235	Switch, High Pressure Cut Out	1
			028 16398 010	Seal, O-ring	1
			025 41904 000	Sensor, Temperature, Evap	1
			025 39517 000	Sensor, Temperature, Refrigerant	1
			325 47588 006	Kit, Level Sensor	1
325 43553 600	Sensors	Evaporator and condenser flow sensor replacement kit. (YMC2 Mod A & B) Proactive replacment recommendation: every 40,880 run hours or every 7 years	025 43553 000	Sensor, Flow	2
			025 42799 000	Connector, Micro 5 pole	2
371 05520 001	Sensors	PRV / VGD Position Sensor Replacement (YMC2 Mod A) FAA Compressors Proactive replacement recommendation: inspect & replace if necessary every 40,880 run hours or every 7 years	071 02012 002	Cover, Position Sensor	1
			371 02012 209	Bracket, Support, Upper PRV	1
			021 13757 000	Screw, Tapping, Thread Forming	2
			025 32570 000	Potentiometer, Position Sensing	1
			025 09080 000	Bushing, Strain relief	1
			571 02012 005	Cable, VGD Sensor	1
			029 24196 000	Coupling, Shaft, Flexible	1
			025 18167 000	Cable Tie	1
021 18487 000	Screw/Washer Assembly (SEMS)	2			

Kit PN	Kit Type	Kit Name & Applicable Models	Kit Contents		
			Item Part Number	Item Description	Qty
371 08104 001	Sensors	PRV / VGD Position Sensor Replacement (YMC2 Mod A & B) YMC2 Mod A: FAB & FAC Compressors YMC2 Mod B: All Mod Compressors Proactive replacement recommendation: inspect & replace if necessary every 40,880 run hours or every 7 years	071 08104 002	Cover, Position Sensor	1
			371 08104 007	Bracket, Support, Upper VGD	1
			021 13757 000	Screw, Tapping, Thread Forming	2
			025 49284 000	Potentiometer, Position Sensing	1
			571 05914 005	Cable, VGD Sensor	1
			029 24196 000	Coupling, Shaft, Flexible	1
			025 18167 000	Cable Tie	1
			021 18487 000	Screw/Washer Assembly (SEMS)	2
366 94952 626	Transducers	Pressure transducer replacement kit (YMC2 Mod A & B) This kit contains all pressure transducers and o-rings to maximize downtime by replacing all trans- ducers at once. Proactive replacement recommendation: every 58,400 run hours or every 10 years	025 28678 006	Transducer, Pressure, Condenser	1
			025 28678 115	Transducer, Pressure, Evaporator	1
			028 12961 002	Seal, O-Ring	2
366 94952 621	Sensors	YMC2 Mod A 10 year proactive kit FAA compressors This is a bundled offering that contains many of the items recommended for replacement around the 10 year period of operation (including parts recommended for proactive replacement around ev- ery 5 years); note items requiring refrigerant charge to be removed are not included in this kit. Proactive replacement recommendation: every 58,400 run hours or every 10 years	325 29964 604	Kit, Water Temperature Sensors	1
			325 43553 600	Kit, Flow Sensor YMC2	1
			371 05520 001	Kit, PRV Position Sensor	1
			366 94952 626	Kit, Pressure Transducer YMC2	1

Kit PN	Kit Type	Kit Name & Applicable Models	Kit Contents		
			Item Part Number	Item Description	Qty
366 94952 623	Sensors	<p>YMC2 Mod A 10 year proactive kit FAB & FAC compressors</p> <p>This is a bundled offering that contains many of the items recommended for replacement around the 10 year period of operation (including parts recommended for proactive replacement around every 5 years); note items requiring refrigerant charge to be removed are not included in this kit.</p> <p>Proactive replacement recommendation: every 58,400 run hours or every 10 years</p>	325 29964 604	Kit, Water Temperature Sensors	1
			325 43553 600	Kit, Flow Sensor YMC2	1
			371 08104 001	Kit, PRV Position Sensor	1
			366 94952 626	Kit, Pressure Transducer YMC2	1
366 94952 625	Sensors	<p>YMC2 Mod B 10 year proactive kit</p> <p>This is a bundled offering that contains many of the items recommended for replacement around the 10 year period of operation (including parts recommended for proactive replacement around every 5 years); note items requiring refrigerant charge to be removed are not included in this kit.</p> <p>Proactive replacement recommendation: every 58,400 run hours or every 10 years</p>	325 29964 604	Kit, Water Temperature Sensors	1
			325 43553 600	Kit, Flow Sensor YMC2	1
			366 94952 626	Kit, Pressure Transducer YMC2	1
335 26759 000	Valve	<p>Motor cooling EEV and O-ring (YMC2 Mod A & B)</p> <p>Proactive replacement recommendation: 58,400 run hours</p>	025 49321 000	Valve, EEV Motor Cooling	1
			025 49322 020	Kit, Cable, M12 20' S-4 Wire	1
			028 16568 000	Seal, O-Ring	1
			028 16569 000	Seal, O-ring	1

Kit PN	Kit Type	Kit Name & Applicable Models	Kit Contents		
			Item Part Number	Item Description	Qty
028 18950 005	O-Ring	O ring kit for 5" Butterfly Valve (JCI part 022 12077 005)		Low temp neoprine orings	7
028 18950 006	O-Ring	O ring kit for 6" Butterfly Valve (JCI part 022 12077 006)		Low temp neoprine orings	7
028 18950 007	O-Ring	O ring kit for 8" Buterfly Valve (JCI part 022 12077 008)		Low temp neoprine orings	8
366 94952 601	VSD	VSD Maintenance Kit for drives with 3.25" diameter heat exchangers Applicable models HYP0744, HYP0490, HYP0612	013 04128 000	Inhibitor (5 Gallon)	2
			013 04129 000	Inhibitor (1 Gallon)	2
			327 04293 600	Kit, Tube Cleaning, 3/8" & 1/4"	1
			013 04131 000	KIT, Inhibitor Validation	1
			371 03716 001	Kit, HX Gaskets	1
			371 09367 600	Smoke/CO2 Test	1
			035 29044 000	Instructions (160.00-012)	1
366 94952 602	VSD	VSD Maintenance Kit for drives with 4.25" diameter heat exchangers Applicable models HYP0774 & HYP0730	013 04128 000	Inhibitor (5 Gallon)	2
			013 04129 000	Inhibitor (1 Gallon)	2
			327 04293 600	Kit, Tube Cleaning, 3/8" & 1/4"	1
			013 04131 000	KIT, Inhibitor Validation	1
			371 03716 002	Kit, HX Gaskets	1
			371 09367 600	Smoke/CO2 Test	1
			035 29044 000	Instructions (160.00-012)	1
366 94952 603	VSD	VSD Maintenance Kit for drives with 6.25" diameter heat exchangers Applicable model HYP1278	013 04128 000	Inhibitor (5 Gallon)	3
			013 04129 000	Inhibitor (1 Gallon)	3
			327 04293 600	Kit, Tube Cleaning, 3/8" & 1/4"	1
			013 04131 000	KIT, Inhibitor Validation	1
			371 08111 000	Kit, HX Gaskets	1
			371 09367 600	Smoke/CO2 Test	1
			035 29044 000	Instructions (160.00-012)	1
327 03593 000	VSD	Cleaner and replacement coolant kit for YORK Liquid Cooled Solid State Starters and Variable Speed Drives This kit applies to SSSs and VSDs requiring up to 3 gallons of coolant	013 03909 000	SSS & VSD Cleaner (5 Gallon)	1
			013 04129 000	SSS & VSD Coolant (1 Gallon)	3
327 03593 001	VSD	Cleaner and replacement coolant kit for YORK Liquid Cooled Solid State Starters and Variable Speed Drives This kit applies to SSSs and VSDs requiring up to 6 gallons of coolant	013 03909 000	SSS & VSD Cleaner (5 Gallon)	1
			013 04128 000	SSS & VSD Coolant (5 Gallon)	1
			013 04129 000	SSS & VSD Coolant (1 Gallon)	1

Kit PN	Kit Type	Kit Name & Applicable Models	Kit Contents		
			Item Part Number	Item Description	Qty
327 03593 002	VSD	Cleaner and replacement coolant kit for YORK Liquid Cooled Solid State Starters and Variable Speed Drives This kit applies to SSSs and VSDs requiring up to 10 gallons of coolant	013 03909 000	SSS & VSD Cleaner (5 Gallon)	2
			013 04128 000	SSS & VSD Coolant (5 Gallon)	2
013 04131 000	VSD	VSD Coolant Validation Test Kit This kit should be used to confirm VSD coolant meets pH, molybdenum, and sodium nitrate target values after annual maintenance See 160.00-O12 for additional information	013 04132 000	Emulsion Foam Control Agent	1
			013 04135 000	Molybdenum ampoules (30 ct)	1
			013 04136 000*	Ferrion Indicator Solution (30ml)	1
			013 04137 000*	Nitrite Tritant Solution (60ml)	1
			013 04138 000*	Buffer solution (120ml)	1
			013 04139 000*	Conductivity Standard Solution (120ml)	1
			013 04140 000*	Electrode storage solution (60ml)	1
			013 04141 000	Plastic beaker, 50ml	1
			013 04142 000	Tester - pH, Conductivity, TDS, Salinity, Temperature	1
			013 04143 000	Demineralized water (50ml)	1
			013 04144 000	Plastic vial 25ml	1
			013 04145 000	Buffer solution, pH 7.00 (500ml)	1
			013 04146 000	Conductivity Standard Solution (500ml)	1
			013 04147 000	Electrode storage solution (500ml)	1
			*Available Separately as Refills		
393 66630 000	VSD	VSD Cooling Protection Kit This upgrade provides the ability to schedule drive heat exchanger maintenance based on real life performance data instead of run time based maintenance intervals	025 29964 002	Temperature Sensor	1
			013 00898 000	Compound, Heat Conductive	1
			392 42716 400	Harness, VSD Coolant Temperature	1
			025 38185 000	Contact Socket	2
			025 23765 003	Cable Strap, Black	15
			025 23765 001	Cable Strap, Black	5
			031 03605 001	Programmed SD Card, Optiview, YMC2 Mod A, 3630 Microboard	1
			031 03605 002	Programmed SD Card, Optiview, YMC2 Mod B, 3630 Microboard	1
			025 37894 001	Temperature Sensor	1
			013 04124 001	Heat Transfer Compound	1
			025 51459 000	Tape, Aluminum Foil	3
			010 03807 000	Thermal Insulation, 6ft Length	1
			093 66630 000	Instruction, YMC2 VSD Cooling Protection Kit	1

Kit PN	Kit Type	Kit Name & Applicable Models	Kit Contents		
			Item Part Number	Item Description	Qty
392 23660 002	Battery	Battery Replacement Kit for YMC2 M2 Power Panel	021 05166 000	Washer Plain 11/32 ID X 11/16	2
			021 05268 000	Washer Coil Spring 0.313" ID	2
			021 32005 501	Nut Hex 5/16"	2
			025 13300 000	Cable Tie	7
			025 35132 000	Cable Strap	2
			025 46861 000	Battery, Lead Acid, 12 Volt	1
			025 46879 000	Insulator, Terminal (Black)	1
			025 46880 000	Insulator, Terminal (Red)	1
			092 23660 000	Instruction, Battery Kit	1



Kit PN	Kit Type	Kit Name & Applicable Models	Kit Contents		
			Item Part Number	Item Description	Qty
325 29964 604	Sensors	Water temperature sensor kit containing all sensors on the water side of the chiller Proactive replacement recommendation: every 35,040 run hours or every 6 years	025 29964 002	Temperature Sensor	4
			013 00898 000	Compound, Heat Conductive	1

Kit PN	Kit Type	Kit Name & Applicable Models	Kit Contents		
			Item Part Number	Item Description	Qty
366 94952 604	VSD	VSD Maintenance Kit for drives with 3.25" diameter heat exchangers Applicable models PYT0330, PYT0420, PYT0780, PYT1020*	013 04128 000	Inhibitor (5 Gallon)	1
			013 04129 000	Inhibitor (1 Gallon)	1
			327 04293 600	Kit, Tube Cleaning, 3/8" & 1/4"	1
			013 04131 000	KIT, Inhibitor Validation	1
			371 03716 001	Kit, HX Gaskets	1
			035 29044 000	Instructions (160.00-012)	1
366 94952 605	VSD	VSD Maintenance Kit for drives with 4.25" diameter heat exchangers Applicable models PYT1020** & PYT1050	013 04128 000	Inhibitor (5 Gallon)	2
			327 04293 600	Kit, Tube Cleaning, 3/8" & 1/4"	1
			013 04131 000	KIT, Inhibitor Validation	1
			371 03716 002	Kit, HX Gaskets	1
			035 29044 000	Instructions (160.00-012)	1
366 94952 606	VSD	VSD Maintenance Kit for drives with 6" diameter heat exchangers Applicable models PYT1280 & PYT1620	013 04128 000	Inhibitor (5 Gallon)	4
			327 04293 600	Kit, Tube Cleaning, 3/8" & 1/4"	1
			013 04131 000	KIT, Inhibitor Validation	1
			371 08111 000	Kit, HX Gaskets	1
			326 51421 600	Kit, HX Gaskets	2
			035 29044 000	Instructions (160.00-012)	1

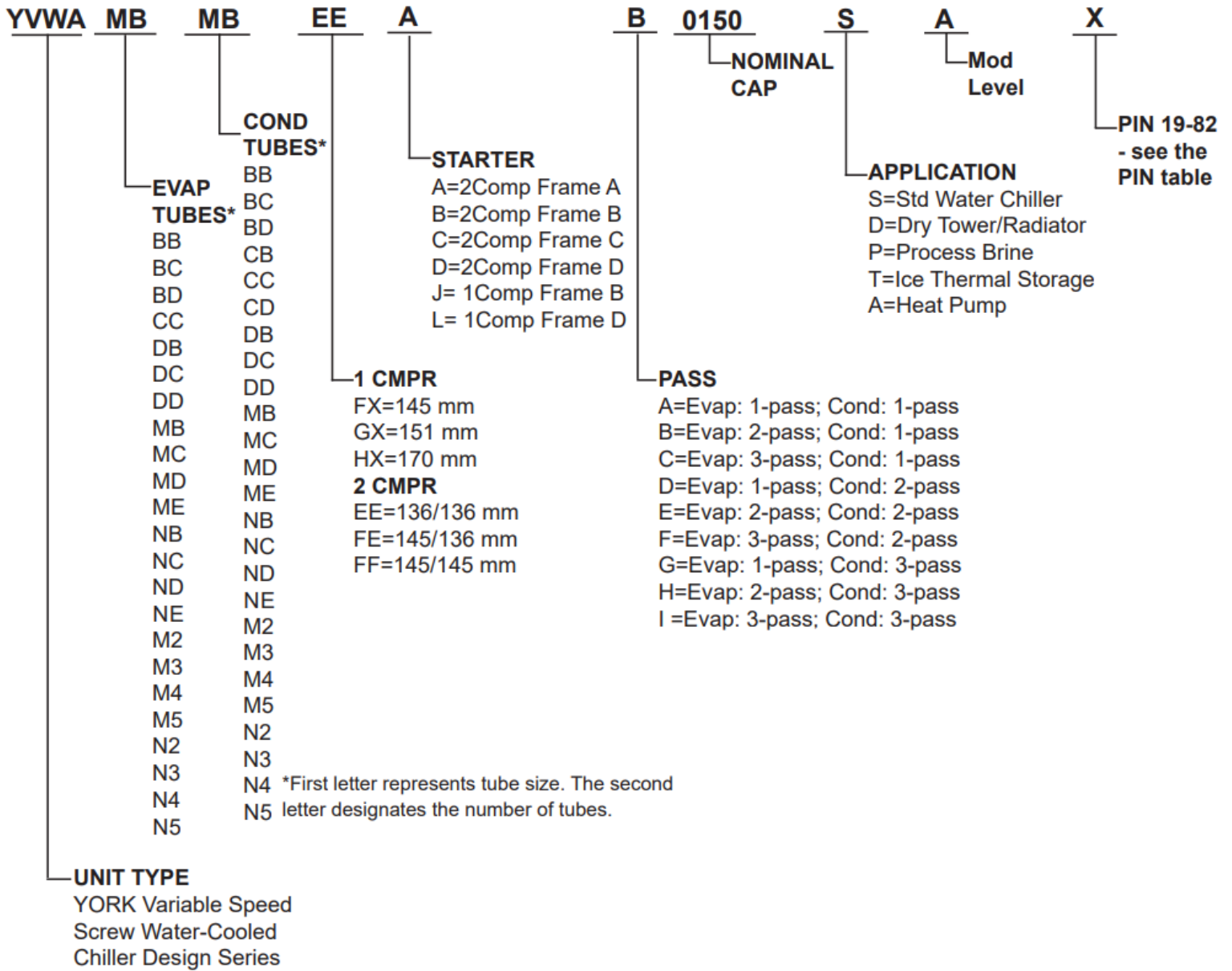
*Only applicable to PYT1020 unfiltered models - model number contains "Z" before the "-", or VSD Part Numbers ending in 701, 703, 705, 707, 709, or 711

**Only applicable to PYT1020 filtered models - model number contains "F" before the "-", or VSD Part Numbers ending in 702, 704, 706, 708, 710, or 712

327 03593 000	VSD	Cleaner and replacement coolant kit for YORK Liquid Cooled Solid State Starters and Variable Speed Drives This kit applies to SSSs and VSDs requiring up to 3 gallons of coolant	013 03909 000	SSS & VSD Cleaner (5 Gallon)	1
			013 04129 000	SSS & VSD Coolant (1 Gallon)	3
327 03593 001	VSD	Cleaner and replacement coolant kit for YORK Liquid Cooled Solid State Starters and Variable Speed Drives This kit applies to SSSs and VSDs requiring up to 6 gallons of coolant	013 03909 000	SSS & VSD Cleaner (5 Gallon)	1
			013 04128 000	SSS & VSD Coolant (5 Gallon)	1
			013 04129 000	SSS & VSD Coolant (1 Gallon)	1

Kit PN	Kit Type	Kit Name & Applicable Models	Kit Contents		
			Item Part Number	Item Description	Qty
327 03593 002	VSD	Cleaner and replacement coolant kit for YORK Liquid Cooled Solid State Starters and Variable Speed Drives This kit applies to SSSs and VSDs requiring up to 10 gallons of coolant	013 03909 000	SSS & VSD Cleaner (5 Gallon)	2
			013 04128 000	SSS & VSD Coolant (5 Gallon)	2





YVWA

Proactive Maintenance

Kit PN	Kit Type	Kit Name & Applicable Models	Kit Contents		
			Item Part Number	Item Description	Qty
325 52740 604	Sensors	Water temperature sensor kit containing all sensors on the water side of the chiller Proactive replacement recommendation: every 35,040 run hours or every 6 years	025 52740 000	Temperature Sensor, -50 to 105 C	4
			013 00898 000	Compound, Heat Conductive	1

YVWA

Preventative Maintenance

Kit PN	Kit Type	Kit Name & Applicable Models	Kit Contents		
			Item Part Number	Item Description	Qty
366 94952 026	PM	Preventative Maintenance kit for YVWA single compressor model chillers <i>See SI0520 for additional details and specific model applicability</i>	026 35601 000	Element, Oil Filter, 0.5 micron (nominal)	1
			028 13849 000	O-Ring, Neoprene, 3.237" ID, 0.103" Thick	1
			026 32839 000	Filter Drier, 5/8" Face Seal Connection	1
			028 12709 000	Seal, Teflon Fiber, 3/4" OD	2
			011 00962 000	Oil, Type "L", 1 Qt	1
366 94952 027	PM	Preventative Maintenance kit for YVWA dual compressor model chillers <i>See SI0520 for additional details and specific model applicability</i>	026 35601 000	Element, Oil Filter, 0.5 micron (nominal)	2
			028 13849 000	O-Ring, Neoprene, 3.237" ID, 0.103" Thick	2
			026 32839 000	Filter Drier, 5/8" Face Seal Connection	2
			028 12709 000	Seal, Teflon Fiber, 3/4" OD	4
			011 00962 000	Oil, Type "L", 1 Qt	2
327 03593 000	VSD	Cleaner and replacement coolant kit for YORK Liquid Cooled Solid State Starters and Variable Speed Drives This kit applies to SSSs and VSDs requiring up to 3 gallons of coolant	013 03909 000	SSS & VSD Cleaner (5 Gallon)	1
			013 04129 000	SSS & VSD Coolant (1 Gallon)	3
327 03593 001	VSD	Cleaner and replacement coolant kit for YORK Liquid Cooled Solid State Starters and Variable Speed Drives This kit applies to SSSs and VSDs requiring up to 6 gallons of coolant	013 03909 000	SSS & VSD Cleaner (5 Gallon)	1
			013 04128 000	SSS & VSD Coolant (5 Gallon)	1
			013 04129 000	SSS & VSD Coolant (1 Gallon)	1
327 03593 002	VSD	Cleaner and replacement coolant kit for YORK Liquid Cooled Solid State Starters and Variable Speed Drives This kit applies to SSSs and VSDs requiring up to 10 gallons of coolant	013 03909 000	SSS & VSD Cleaner (5 Gallon)	2
			013 04128 000	SSS & VSD Coolant (5 Gallon)	2

Kit PN	Kit Type	Kit Name & Applicable Models	Kit Contents		
			Item Part Number	Item Description	Qty
013 04131 000	VSD	VSD Coolant Validation Test Kit This kit should be used to confirm VSD coolant meets pH, molybdenum, and sodium nitrate target values after annual maintenance See 160.00-O12 for additional information	013 04132 000	Emulsion Foam Control Agent	1
			013 04135 000	Molybdenum ampoules (30 ct)	1
			013 04136 000*	Ferrion Indicator Solution (30ml)	1
			013 04137 000*	Nitrite Tritant Solution (60ml)	1
			013 04138 000*	Buffer solution (120ml)	1
			013 04139 000*	Conductivity Standard Solution (120ml)	1
			013 04140 000*	Electrode storage solution (60ml)	1
			013 04141 000	Plastic beaker, 50ml	1
			013 04142 000	Tester - pH, Conductivity, TDS, Salinity, Temperature	1
			013 04143 000	Demineralized water (50ml)	1
			013 04144 000	Plastic vial 25ml	1
			013 04145 000	Buffer solution, pH 7.00 (500ml)	1
			013 04146 000	Conductivity Standard Solution (500ml)	1
			013 04147 000	Electrode storage solution (500ml)	1
			*Available Separately as Refills		



LEGACY & OTHER CHILLERS

Preventative Maintenance

Kit PN	Kit Type	Kit Name & Applicable Models	Kit Contents		
			Item Part Number	Item Description	Qty
366 94952 001	PM	Preventative Maintenance Kit for HT chillers 090-360	026 14642 000	Cartridge Filter Kit, 15 Micron (Includes filter element and seal kit)	1
			026 14777 007	Filter Drier 1/2" SAE Flare	1
			026 14777 016	Filter Drier 3/8" SAE Flare	1
			026 15761 000	Cartridge Filter, 1" ID x 2-1/2" OD	1
			026 17295 000	Filter Drier 1/4" Male Flare	2
			028 08312 002	Kit, Replacement Gaskets & O-Rings (Includes gasket shell, gasket cover nut, gasket vent screw, and O-Ring cover nut)	1
			666 25464 000	Connection Restrictor	1
			666 25465 000	Connection Restrictor	1
366 94952 002	PM	Preventative Maintenance Kit for HT chillers 390-640	026 14777 007	Filter Drier 1/2" SAE Flare	1
			026 14777 016	Filter Drier 3/8" SAE Flare	1
			026 15761 000	Cartridge Filter, 1" ID x 2-1/2" OD	1
			026 17295 000	Filter Drier 1/4" Male Flare	2
			028 08312 001	Kit, Replacement Gaskets & O-Rings (includes 7/16" washer, 3/4" washer, and gasket cover)	1
			028 08312 002	Kit, Replacement Gaskets & O-Rings (Includes gasket shell, gasket cover nut, gasket vent screw, and O-Ring cover nut)	2
			028 08312 003	Kit, Replacement Gaskets & O-Rings (includes 3 O-Rings)	1
			028 08312 004	Kit, Replacement Gaskets & O-Rings (includes cap nut casket, shell gasket, and gasket)	1
			392 10719 000	Kit, Filter Spring/Element	1
			666 25464 000	Connection Restrictor	1
666 25465 000	Connection Restrictor	1			
366 94952 003	PM	Preventative Maintenance Kit for HT chillers A1/A3-E3/E2 Mod A	026 14642 000	Cartridge Filter Kit, 15 Micron (Includes filter element and seal kit)	1
			026 14777 007	Filter Drier 1/2" SAE Flare	2
			026 15761 000	Cartridge Filter, 1" ID x 2-1/2" OD	1
			028 08312 002	Kit, Replacement Gaskets & O-Rings (Includes gasket shell, gasket cover nut, gasket vent screw, and O-Ring cover nut)	1
			029 16764 000	Strainer, 1/4" Male Flare	1

LEGACY & OTHER CHILLERS

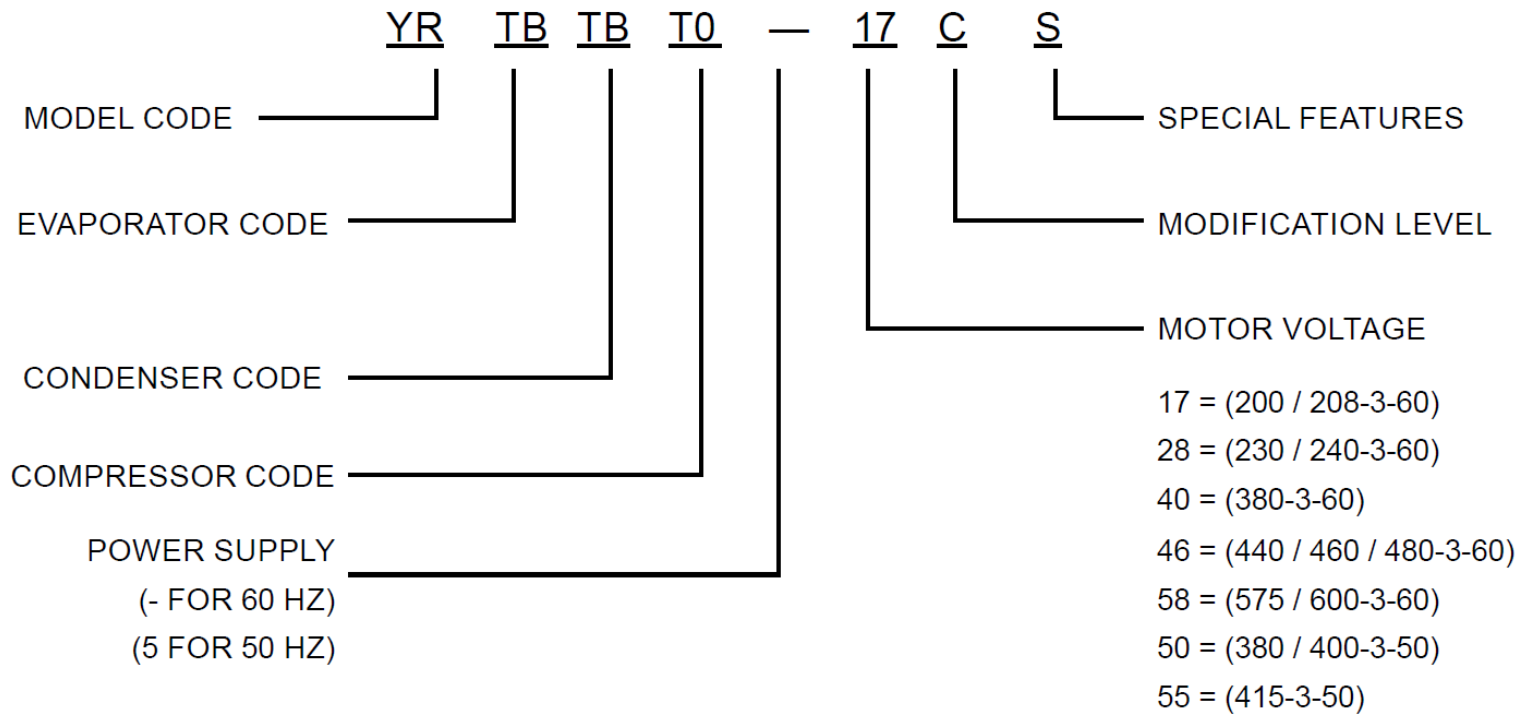
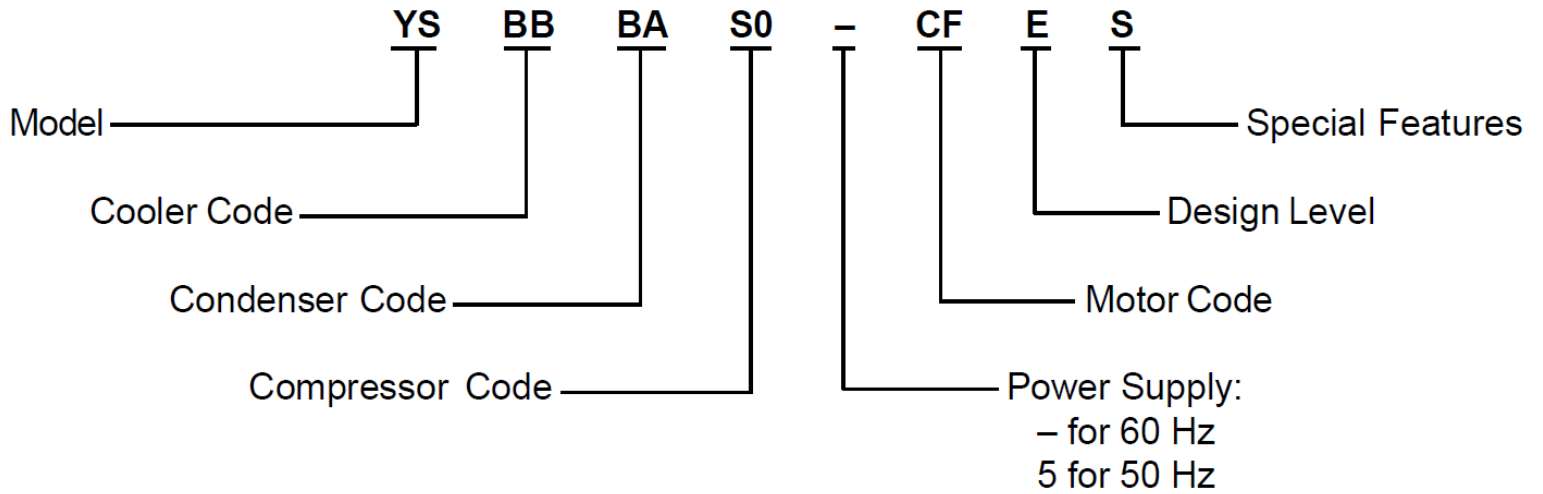
Preventative Maintenance

Kit PN	Kit Type	Kit Name & Applicable Models	Kit Contents		
			Item Part Number	Item Description	Qty
366 94952 004	PM	Preventative Maintenance Kit for HT chillers not covered by part numbers 366 94952 001 thru 366 94952 003	026 14777 007	Filter Drier 1/2" SAE Flare	2
			026 15761 000	Cartridge Filter, 1" ID x 2-1/2" OD	1
			028 08312 001	Kit, Replacement Gaskets & O-Rings (includes 7/16" washer, 3/4" washer, and gasket cover)	1
			028 08312 002	Kit, Replacement Gaskets & O-Rings (Includes gasket shell, gasket cover nut, gasket vent screw, and O-Ring cover nut)	2
			028 08312 003	Kit, Replacement Gaskets & O-Rings (includes 3 O-Rings)	1
			028 08312 004	Kit, Replacement Gaskets & O-Rings (includes cap nut casket, shell gasket, and gasket)	1
			029 16764 000	Strainer, 1/4" Male Flare	1
			392 10719 000	Kit, Filter Spring/Element	1
366 94952 005	PM	Preventative Maintenance Kit for OT chillers 090-360	026 14642 000	Cartridge Filter Kit, 15 Micron (Includes filter element and seal kit)	1
			026 14777 007	Filter Drier 1/2" SAE Flare	1
			026 14777 016	Filter Drier 3/8" SAE Flare	1
			026 17295 000	Filter Drier 1/4" Male Flare	2
			666 25464 000	Connection Restrictor	1
			666 25465 000	Connection Restrictor	1
366 94952 006	PM	Preventative Maintenance Kit for OT chillers 390-640	026 14777 007	Filter Drier 1/2" SAE Flare	1
			026 14777 016	Filter Drier 3/8" SAE Flare	1
			026 17295 000	Filter Drier 1/4" Male Flare	2
			028 08312 001	Kit, Replacement Gaskets & O-Rings (includes 7/16" washer, 3/4" washer, and gasket cover)	1
			028 08312 002	Kit, Replacement Gaskets & O-Rings (Includes gasket shell, gasket cover nut, gasket vent screw, and O-Ring cover nut)	1
			028 08312 003	Kit, Replacement Gaskets & O-Rings (includes 3 O-Rings)	1
			028 08312 004	Kit, Replacement Gaskets & O-Rings (includes cap nut casket, shell gasket, and gasket)	1
			392 10719 000	Kit, Filter Spring/Element	1
			666 25464 000	Connection Restrictor	1
			666 25465 000	Connection Restrictor	1
366 94952 007	PM	Preventative Maintenance Kit for OT chillers A1, A3-K3, and E3	026 14642 000	Cartridge Filter Kit, 15 Micron (Includes filter element and seal kit)	1
			026 14777 007	Filter Drier 1/2" SAE Flare	2
			029 16764 000	Strainer, 1/4" Male Flare	1

LEGACY & OTHER CHILLERS

Preventative Maintenance

Kit PN	Kit Type	Kit Name & Applicable Models	Kit Contents		
			Item Part Number	Item Description	Qty
366 94952 008	PM	Preventative Maintenance Kit for open drive monoshell chillers with turbo-guard purge (LTD 108-126 compressors) and all twin shell open drive chillers	026 14777 007	Filter Drier 1/2" SAE Flare	2
			028 08312 KIT	Kit, Replacement Gaskets & O-Rings (Includes 028-08312-001, 002, 003, 004, and 005)	1
			029 16764 000	Strainer, 1/4" Male Flare	1
			392 10719 000	Kit, Filter Spring/Element	1
028 16799 000	O-Ring	O-Ring kit for Norman oil filter		Drain O-Ring	1
				Bowl O-Ring	1
				Element O-Ring	1



Kit PN	Kit Type	Kit Name & Applicable Models	Kit Contents		
			Item Part Number	Item Description	Qty
325 29964 602	Sensors	Water temperature sensor kit containing all sensors on the water side of the chiller Proactive replacement recommendation: every 35,040 run hours or every 6 years	025 29964 002	Temperature Sensor	2
			325 47673 000	Thermister Installation Kit	2
			013 00898 000	Compound, Heat Conductive	1

Kit PN	Kit Type	Kit Name & Applicable Models	Kit Contents		
			Item Part Number	Item Description	Qty
366 94952 017	PM	Preventative Maintenance kit for YS Style C chillers	026 32839 000	Filter Drier, 5/8" Face Seal Connection	2
			026 32841 000	Filter Drier, 5/8" Face Seal Connection	1
			026 34428 000	Kit, Replacement Seal for Pall Oil (Includes head to bowl seal, vent plug seals, and drain plug seal)	2
			028 12709 000	Seal, Teflon Fiber, 3/4" OD	6
			364 50438 000	Kit, Oil Filter and Gasket	2
366 94952 018	PM	Preventative Maintenance kit for YS Style D and E chillers	026 32000 000	Kit, O-Ring for Pall Oil (includes heat to bowl and vent plug seals)	1
			026 32839 000	Filter Drier, 5/8" Face Seal Connection	2
			026 32841 000	Filter Drier, 5/8" Face Seal Connection	1
			028 12709 000	Seal, Teflon Fiber, 3/4" OD	6
			364 50438 000	Kit, Oil Filter and Gasket	1
364 50438 000	Oil Filter	Oil filter and replacement O-Ring kit for YS chillers with Pall filters (026-31650-XXX or 026-35621-XXX)	026 32831 000	Element, Oil Filter, 0.5 micron (nominal)	1
			028 14404 000	O-Ring, Neoprene, 3.484" ID, 0.139" Thick	1
			028 15082 000	Seal O-Ring	1
			035 18630 000	Instructions, Kit, Filter Element	1
026 32000 000	Oil Filter	Replacement oil filter and O-Rings for YS Chiller 150-650		Filter	
				Neoprene head to bowl seal	
				Neoprene vent plug seal	

Kit PN	Kit Type	Kit Name & Applicable Models	Kit Contents		
			Item Part Number	Item Description	Qty
325 52740 604	Sensors	Water temperature sensor kit containing all sensors on the water side of the chiller Proactive replacement recommendation: every 35,040 run hours or every 6 years	025 29964 002	Temperature Sensor	4
			013 00898 000	Compound, Heat Conductive	1

Kit PN	Kit Type	Kit Name & Applicable Models	Kit Contents		
			Item Part Number	Item Description	Qty
366 94952 020	PM	Preventative Maintenance Kit for YR chillers with single oil filter configuration	364 50438 000	Kit, Oil Filter and Gasket	1
			026 37563 000	Filter Drier 3/8" ORFS	2
			028 12961 012	O-Ring, Neoprene, 0.364" ID, 0.070" Thick	4
			026 43089 000	Filter Drier 3/4" ORFS	1
			028 12961 015	O-Ring, Neoprene, 0.739" ID, 0.070" Thick	2
366 94952 220	PM	Preventative Maintenance Kit for YR chillers with dual oil filter configuration	364 50438 000	Kit, Oil Filter and Gasket	2
			026 37563 000	Filter Drier 3/8" ORFS	2
			028 12961 012	O-Ring, Neoprene, 0.364" ID, 0.070" Thick	4
			026 43089 000	Filter Drier 3/4" ORFS	1
			028 12961 015	O-Ring, Neoprene, 0.739" ID, 0.070" Thick	2
375 65117 002	O-Ring	O-Ring replacement kit for 2" diameter Variable Orifice Valves	028 15442 115	Seal O-Ring	2
			028 15442 209	Seal O-Ring	2
			028 15442 235	Seal O-Ring	2
			028 15447 002	Washer, Thrust, for 2" Valve	1
			035 21193 000	Label, "Rebuilt with C873-70 O-Rings"	2
			SI0421	Instruction, Field Repair of Variable Ori- fice & Hot Gas Bypass Valve O-Rings	1
375 65117 102	O-Ring	O-Ring replacement kit for 2" diameter Hot Gas Bypass Valves	028 15442 115	Seal O-Ring	2
			028 15442 209	Seal O-Ring	2
			028 15442 226	Seal O-Ring	1
			028 15442 235	Seal O-Ring	2
			028 15447 002	Washer, Thrust, for 2" Valve	1
			035 21193 000	Label, "Rebuilt with C873-70 O-Rings"	2
			SI0421	Instruction, Field Repair of Variable Ori-fice & Hot Gas Bypass Valve O-Rings	1

Kit PN	Kit Type	Kit Name & Applicable Models	Kit Contents		
			Item Part Number	Item Description	Qty
375 65117 003	O-Ring	O-Ring replacement kit for 3" diameter Variable Orifice Valves	028 15442 212	Seal O-Ring	4
			028 15447 003	Washer, Thrust, for 3", 4", and 5" Valve	1
			028 16523 346	O-Ring, Neoprene, 4.10" ID, 0.210" Thick	2
			035 21193 000	Label, "Rebuilt with C873-70 O-Rings"	2
			SI0421	Instruction, Field Repair of Variable Ori- fice & Hot Gas Bypass Valve O-Rings	1
375 65117 103	O-Ring	O-Ring replacement kit for 3" diameter Hot Gas Bypass Valves	028 15442 212	Seal O-Ring	4
			028 15447 103	Washer, Thrust, for 3", 4", and 5" Valve	1
			028 16523 334	SEAL O-Ring NEOPRENE	1
			028 16523 346	O-Ring, Neoprene, 4.10" ID, 0.210" Thick	2
			035 21193 000	Label, "Rebuilt with C873-70 O-Rings"	2
			SI0421	Instruction, Field Repair of Variable Ori- fice & Hot Gas Bypass Valve O-Rings	1
375 65117 004	O-Ring	O-Ring replacement kit for 4" diameter Variable Orifice Valves	028 15442 212	Seal O-Ring	4
			028 15442 430	Seal O-Ring	2
			028 15447 003	Washer, Thrust, for 3", 4", and 5" Valve	1
			035 21193 000	Label, "Rebuilt with C873-70 O-Rings"	2
			SI0421	Instruction, Field Repair of Variable Orifice & Hot Gas Bypass Valve O-Rings	1
375 65117 005	O-Ring	O-Ring replacement kit for 5" diameter Variable Orifice Valves	028 15442 212	Seal O-Ring	4
			028 15442 437	Seal O-Ring	2
			028 15447 003	Washer, Thrust, for 3", 4", and 5" Valve	1
			035 21193 000	Label, "Rebuilt with C873-70 O-Rings"	2
			SI0421	Instruction, Field Repair of Variable Orifice & Hot Gas Bypass Valve O-Rings	1
375 65117 105	O-Ring	O-Ring replacement kit for 5" diameter Hot Gas Bypass Valves	028 15442 212	Seal O-Ring	4
			028 15442 349	Seal O-Ring	1
			028 15442 437	Seal O-Ring	2
			028 15447 103	Washer, Thrust, for 3", 4", and 5" Valve	1
			035 21193 000	Label, "Rebuilt with C873-70 O-Rings"	2
			SI0421	Instruction, Field Repair of Variable Orifice & Hot Gas Bypass Valve O-Rings	1

Kit PN	Kit Type	Kit Name & Applicable Models	Kit Contents		
			Item Part Number	Item Description	Qty
375 65117 006	O-Ring	O-Ring replacement kit for 6" diameter Variable Orifice Valves	028 15442 215	Seal O-Ring	4
			028 15447 006	Washer, Thrust, for 6" Valve	1
			028 16523 440	O-Ring, Neoprene, 6.725" ID, 0.275" Thick	2
			035 21193 000	Label, "Rebuilt with C873-70 O-Rings"	2
			SI0421	Instruction, Field Repair of Variable Orifice & Hot Gas Bypass Valve O-Rings	1
375 65117 106	O-Ring	O-Ring replacement kit for 6" diameter Hot Gas Bypass Valves	028 15442 215	Seal O-Ring	4
			028 15442 429	O-Ring, Neoprene, 4.975" ID, 0.275" Thick	1
			028 15447 006	Washer, Thrust, for 6" Valve	1
			028 16523 440	O-Ring, Neoprene, 6.725" ID, 0.275" Thick	2
			035 21193 000	Label, "Rebuilt with C873-70 O-Rings"	2
			SI0421	Instruction, Field Repair of Variable Orifice & Hot Gas Bypass Valve O-Rings	1



YIA - ST - 1A1 - 46 - C - S - C

MODEL

York IsoFlow Absorption Chiller

HEAT SOURCE

ST = Steam
HW = Hot Water

UNIT SIZE

1A1 thru 14F3
Note: letter designates family

DESIGN MODIFICATION LEVEL

A = New Style Pumps (7/96)
B = Hi-Temp Generator as Std. (2/98)
C = Bolt-on compact water boxes (6/04)

SPECIAL

S = Standard Tubes
X = Special Tubes

C = Cooling only

ELECTRICAL

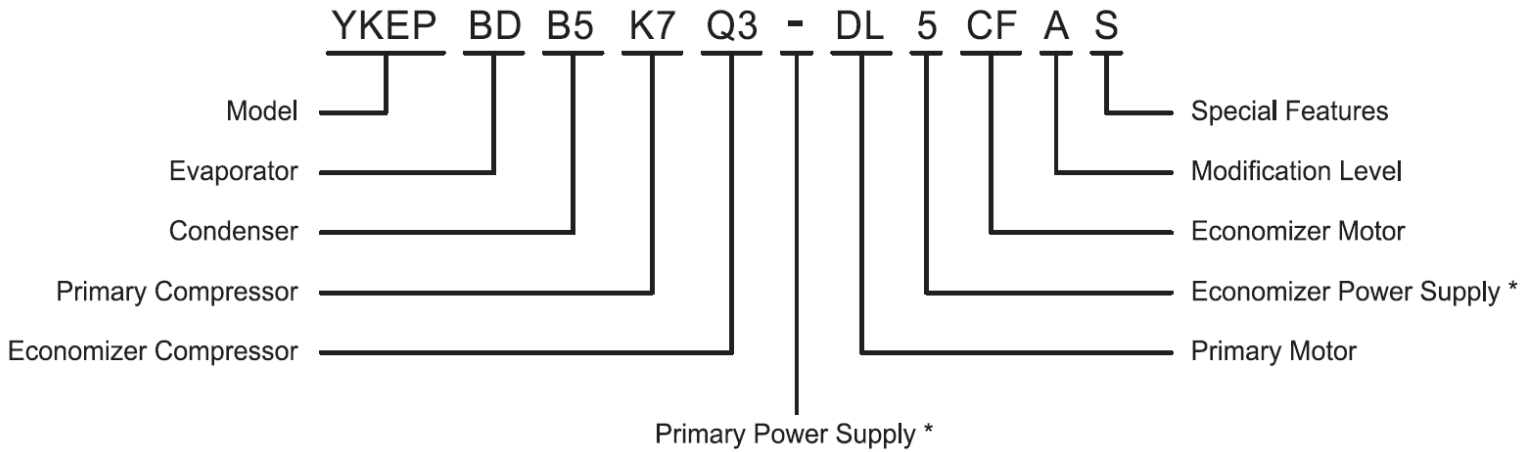
17 = 208-3-60
28 = 230-3-60
46 = 460-3-60
58 = 575-3-60
50 = 380-3-50

YIA & YPC

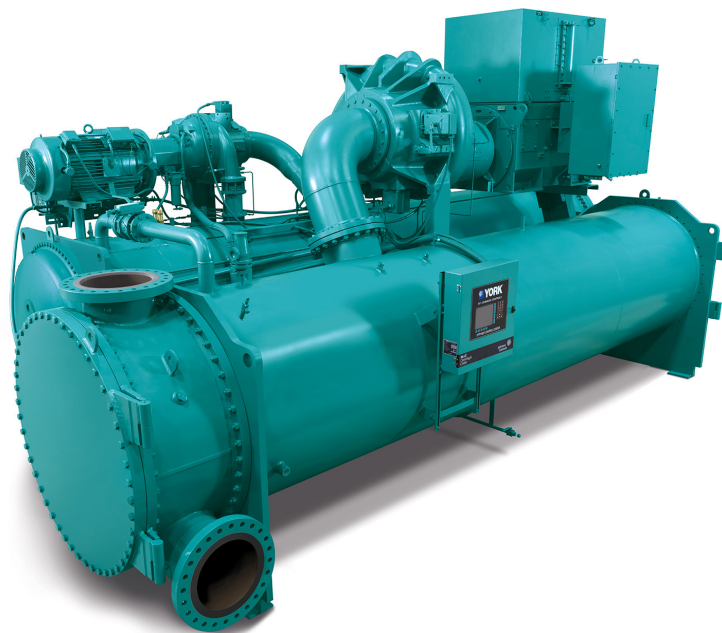
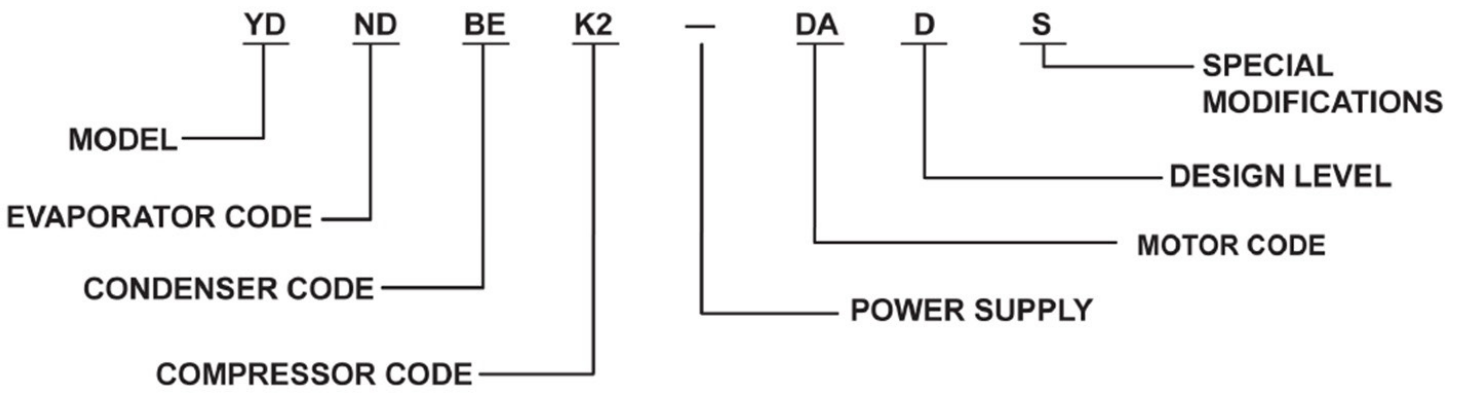
Preventative Maintenance

Kit PN	Kit Type	Kit Name & Applicable Models	Kit Contents	
			Item Description	Qty
026 32824 000	Refrigerant	Test kit for alkalinity, ammonia, and filtration		
026 32366 000	Tool	Set of 8 hygrometers	Set of 8 hygrometers	1





* For both Primary and Economizer power supply: "-" = 60Hz and "5" = 50Hz



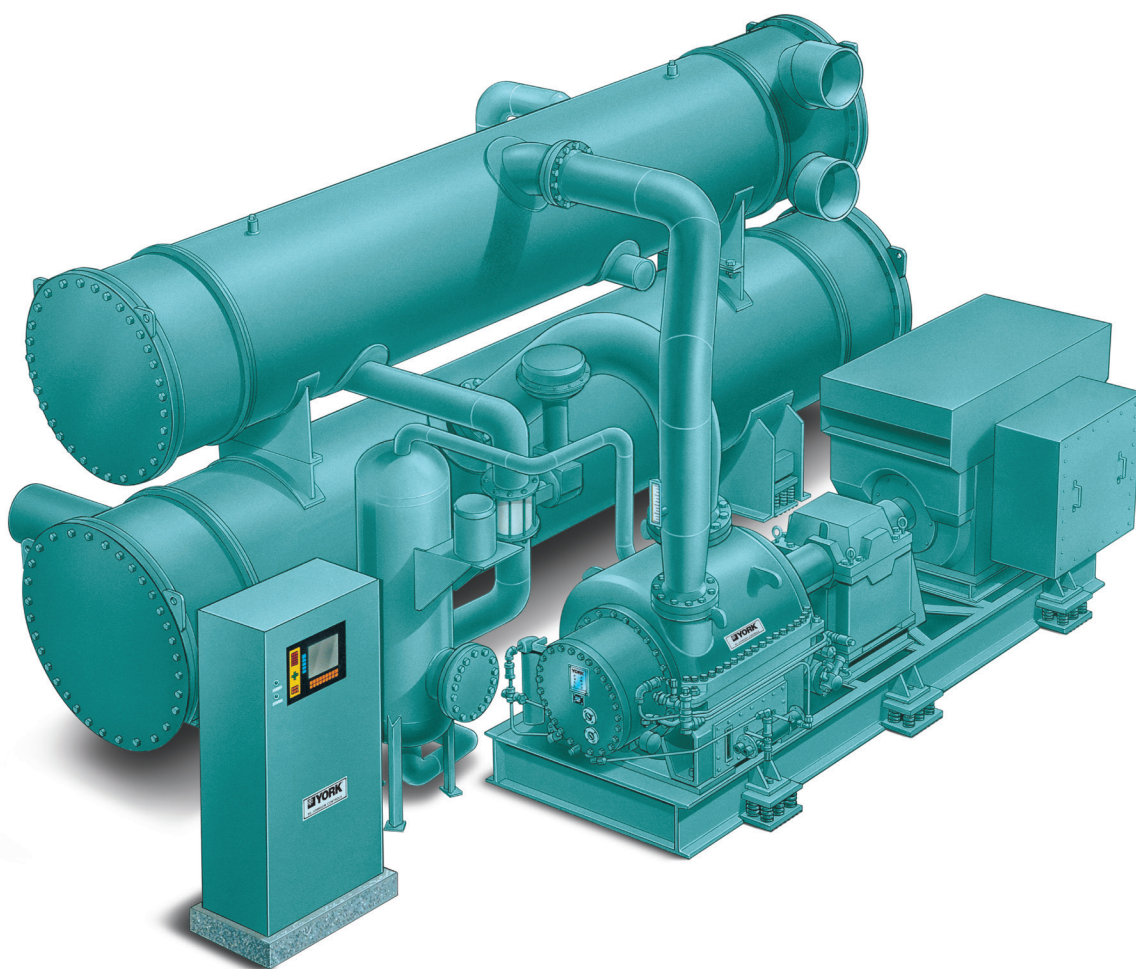
Kit PN	Kit Type	Kit Name & Applicable Models	Kit Contents		
			Item Part Number	Item Description	Qty
026 14642 000	Oil Filter	Replacement oil filter kit		Oil filter with replacement O-Rings	1
064 54053 000	Oil	Oil analysis kit for shaft seals		Oil sample collection bottle	1
				Oil sample instructions	1
				Mailing label	1
366 94952 604	VSD	VSD Maintenance Kit for drives with 3.25" diameter heat exchangers Applicable models VSD351, LVD0351, LVD0424, VSD503, VSD608, LVD0503, LVD0608, VSD790	013 04128 000	Inhibitor (5 Gallon)	1
			013 04129 000	Inhibitor (1 Gallon)	1
			327 04293 600	Kit, Tube Cleaning, 3/8" & 1/4"	1
			013 04131 000	KIT, Inhibitor Validation	1
			371 03716 001	Kit, HX Gaskets	1
			035 29044 000	Instructions (160.00-O12)	1
366 94952 605	VSD	VSD Maintenance Kit for drives with 4.25" diameter heat exchangers Applicable models VSD1055 & VSD1300	013 04128 000	Inhibitor (5 Gallon)	2
			327 04293 600	Kit, Tube Cleaning, 3/8" & 1/4"	1
			013 04131 000	KIT, Inhib Validation	1
			371 03716 002	Kit, HX Gaskets	1
			035 29044 000	Instructions (160.00-O12)	1
366 94952 603	VSD	VSD Maintenance Kit for drives with 6.25" diameter heat exchangers Applicable model HYP1300	013 04128 000	Inhibitor (5 Gallon)	3
			013 04129 000	Inhibitor (1 Gallon)	3
			327 04293 600	Kit, Tube Cleaning, 3/8" & 1/4"	1
			013 04131 000	KIT, Inhibitor Validation	1
			371 08111 000	Kit, HX Gaskets	1
			371 09367 600	Smoke/CO2 Test	1
			035 29044 000	Instructions (160.00-O12)	1
327 03593 000	VSD	Cleaner and replacement coolant kit for YORK Liquid Cooled Solid State Starters and Variable Speed Drives This kit applies to SSSs and VSDs requiring up to 3 gallons of coolant	013 03909 000	SSS & VSD Cleaner (5 Gallon)	1
			013 04129 000	SSS & VSD Coolant (1 Gallon)	3
327 03593 001	VSD	Cleaner and replacement coolant kit for YORK Liquid Cooled Solid State Starters and Variable Speed Drives This kit applies to SSSs and VSDs requiring up to 6 gallons of coolant	013 03909 000	SSS & VSD Cleaner (5 Gallon)	1
			013 04128 000	SSS & VSD Coolant (5 Gallon)	1
			013 04129 000	SSS & VSD Coolant (1 Gallon)	1
327 03593 002	VSD	Cleaner and replacement coolant kit for YORK Liquid Cooled Solid State Starters and Variable Speed Drives This kit applies to SSSs and VSDs requiring up to 10 gallons of coolant	013 03909 000	SSS & VSD Cleaner (5 Gallon)	2
			013 04128 000	SSS & VSD Coolant (5 Gallon)	2

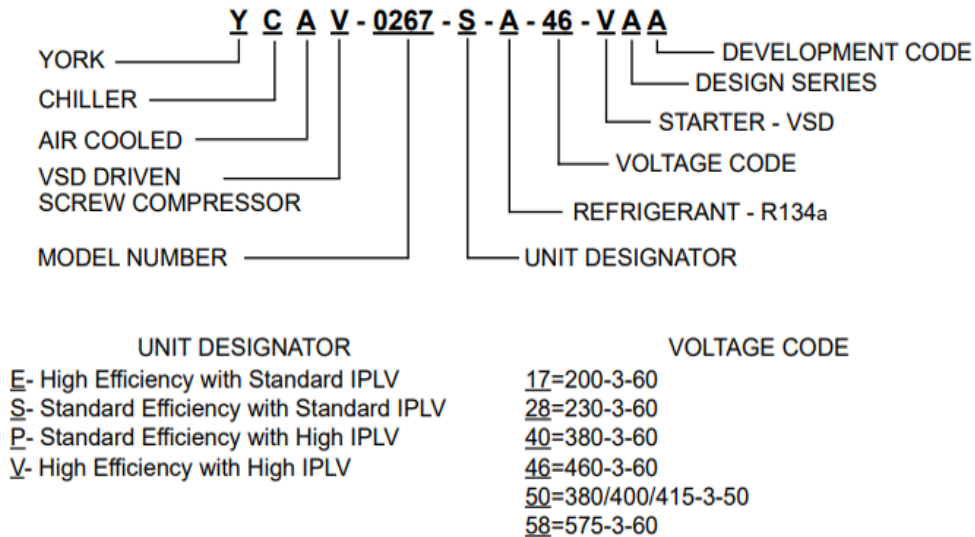
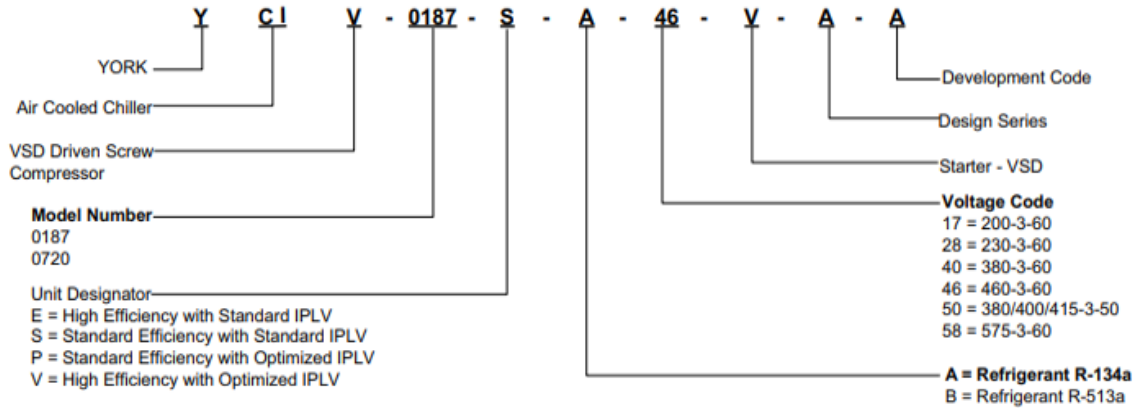
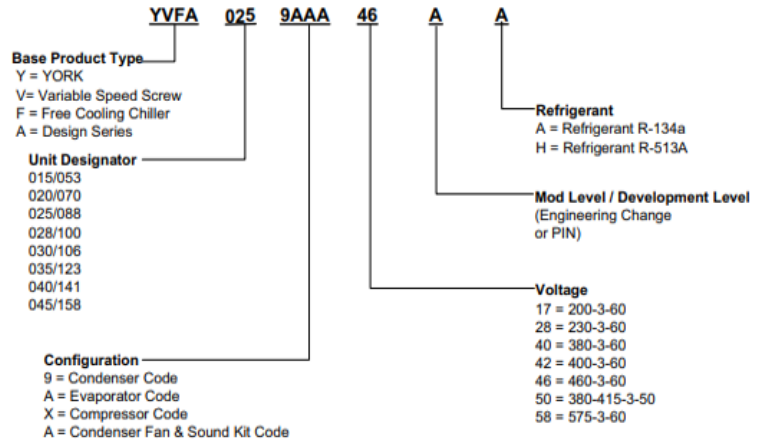
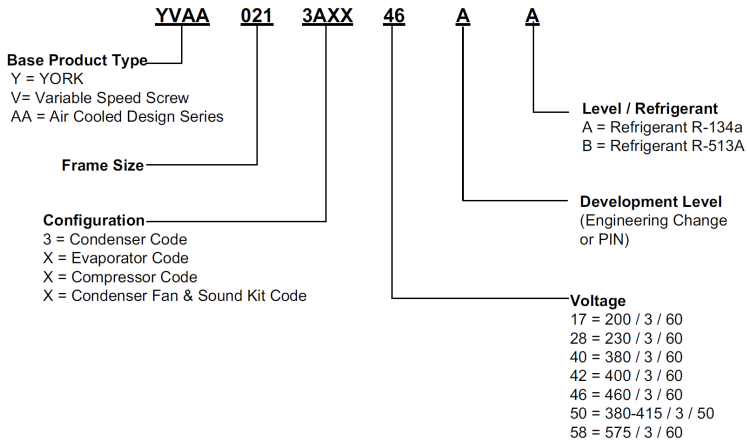
Kit PN	Kit Type	Kit Name & Applicable Models	Kit Contents		
			Item Part Number	Item Description	Qty
366 94952 604	VSD	VSD Maintenance Kit for drives with 3.25" diameter heat exchangers Applicable models PYT0780, PYT1020*	013 04128 000	Inhibitor (5 Gallon)	1
			013 04129 000	Inhibitor (1 Gallon)	1
			327 04293 600	Kit, Tube Cleaning, 3/8" & 1/4"	1
			013 04131 000	KIT, Inhibitor Validation	1
			371 03716 001	Kit, HX Gaskets	1
			035 29044 000	Instructions (160.00-012)	1
366 94952 605	VSD	VSD Maintenance Kit for drives with 4.25" diameter heat exchangers Applicable models PYT1020** & PYT1050	013 04128 000	Inhibitor (5 Gallon)	2
			327 04293 600	Kit, Tube Cleaning, 3/8" & 1/4"	1
			013 04131 000	KIT, Inhibitor Validation	1
			371 03716 002	Kit, HX Gaskets	1
			035 29044 000	Instructions (160.00-012)	1
366 94952 606	VSD	VSD Maintenance Kit for drives with 6" diameter heat exchangers Applicable model PYT1280	013 04128 000	Inhibitor (5 Gallon)	4
			327 04293 600	Kit, Tube Cleaning, 3/8" & 1/4"	1
			013 04131 000	KIT, Inhibitor Validation	1
			371 08111 000	Kit, HX Gaskets	1
			326 51421 600	Kit, HX Gaskets	2
			035 29044 000	Instructions (160.00-012)	1
*Only applicable to PYT1020 unfiltered models - model number contains "Z" before the "-", or VSD Part Numbers ending in 701, 703, 705, 707, 709, or 711					
**Only applicable to PYT1020 filtered models - model number contains "F" before the "-", or VSD Part Numbers ending in 702, 704, 706, 708, 710, or 712					
327 03593 000	VSD	Cleaner and replacement coolant kit for YORK Liquid Cooled Solid State Starters and Variable Speed Drives This kit applies to SSSs and VSDs requiring up to 3 gallons of coolant	013 03909 000	SSS & VSD Cleaner (5 Gallon)	1
			013 04129 000	SSS & VSD Coolant (1 Gallon)	3
327 03593 001	VSD	Cleaner and replacement coolant kit for YORK Liquid Cooled Solid State Starters and Variable Speed Drives This kit applies to SSSs and VSDs requiring up to 6 gallons of coolant	013 03909 000	SSS & VSD Cleaner (5 Gallon)	1
			013 04128 000	SSS & VSD Coolant (5 Gallon)	1
			013 04129 000	SSS & VSD Coolant (1 Gallon)	1
327 03593 002	VSD	Cleaner and replacement coolant kit for YORK Liquid Cooled Solid State Starters and Variable Speed Drives This kit applies to SSSs and VSDs requiring up to 10 gallons of coolant	013 03909 000	SSS & VSD Cleaner (5 Gallon)	2
			013 04128 000	SSS & VSD Coolant (5 Gallon)	2

MULTISTAGE

Preventative Maintenance

Kit PN	Kit Type	Kit Name & Applicable Models	Kit Contents	
			Item Description	Qty
026 35958 000	Oil Filter	Oil filter element and O-Ring replacement kit	Oil filter and O-Rings	1
026 35959 000	Oil Filter	Oil filter element and O-Ring replacement kit	Oil filter and O-Rings	1
026 35960 000	Oil Filter	Oil filter element kit for Kaydon filters	10 micron filter	1
			Neoprene gaskets	1
			Replacement seal kit	1
028 16799 000	O-Ring	O-Ring kit for Norman oil filter	Drain O-Ring	1
			Bowl O-Ring	1
			Element O-Ring	1





Kit PN	Kit Type	Kit Name & Applicable Models	Kit Contents		
			Item Part Number	Item Description	Qty
366 94952 400	Sensors	<p>YVAA 5 year proactive kit</p> <p>This is a bundled offering that contains many of the items recommended for replacement around the 5 year period of operation; note items requiring refrigerant charge to be removed are not included in this kit.</p> <p>Proactive replacement recommendation: every 29,200 run hours or every 5 years</p>	325 52740 602	Kit, Water Temperature Sensor, YVAA	1
			025 47688 000	Sensor, Ambient Air Temperature	1
			025 29139 004	Transducer, Discharge Pressure	2
			025 29583 002	Transducer, Suction Pressure	2
			325 47673 000	Sensor, Liquid Line Temperature	4
			575 54455 202	Heater, Compressor	1
			575 54455 203	Heater, Compressor	1
366 94952 401	Sensors	<p>YVFA Open Loop 5 year proactive kit</p> <p>This is a bundled offering that contains many of the items recommended for replacement around the 5 year period of operation; note items requiring refrigerant charge to be removed are not included in this kit.</p> <p>Proactive replacement recommendation: every 29,200 run hours or every 5 years</p>	325 52740 603	Kit, Water Temperature Sensor, YVFA OL	1
			025 47688 000	Sensor, Ambient Air Temperature	1
			025 29139 004	Transducer, Discharge Pressure	4
			025 29583 002	Transducer, Suction Pressure	2
			325 47673 000	Sensor, Liquid Line Temperature	6
			575 54455 202	Heater, Compressor	1
			575 54455 203	Heater, Compressor	1
366 94952 402	Sensors	<p>YVFA Closed Loop 5 year proactive kit</p> <p>This is a bundled offering that contains many of the items recommended for replacement around the 5 year period of operation; note items requiring refrigerant charge to be removed are not included in this kit.</p> <p>Proactive replacement recommendation: every 29,200 run hours or every 5 years</p>	325 52740 606	Kit, Water Temperature Sensor, YVFA CL	1
			025 47688 000	Sensor, Ambient Air Temperature	1
			025 29139 004	Transducer, Discharge Pressure	4
			025 29583 002	Transducer, Suction Pressure	2
			325 47673 000	Sensor, Liquid Line Temperature	6
			575 54455 202	Heater, Compressor	1
			575 54455 203	Heater, Compressor	1
325 52740 602	Sensors	<p>Water temperature sensor kit containing all sensors on the water side of the chiller</p> <p>Applies to all YVAA chillers</p> <p>Proactive replacement recommendation: every 35,040 run hours or every 6 years</p>	025 52740 000	Temperature Sensor, -50 to 105 C	2
			013 00898 000	Compound, Heat Conductive	1
325 52740 603	Sensors	<p>Water temperature sensor kit containing all sensors on the water side of the chiller</p> <p>Applies to YVFA Open Loop chillers</p> <p>Proactive replacement recommendation: every 35,040 run hours or every 6 years</p>	025 52740 000	Temperature Sensor, -50 to 105 C	3
			013 00898 000	Compound, Heat Conductive	1

Kit PN	Kit Type	Kit Name & Applicable Models	Kit Contents		
			Item Part Number	Item Description	Qty
325 52740 606	Sensors	Water temperature sensor kit containing all sensors on the water side of the chiller Applies to YVFA closed loop chillers Proactive replacement recommendation: every 35,040 run hours or every 6 years	025 52740 000	Temperature Sensor, -50 to 105 C	6
			013 00898 000	Compound, Heat Conductive	1
325 53950 601	Sensors	Temperature sensor kit containing all temperature sensors to maximize downtime by changing all temperature sensors at once Applies to all YVAA chillers Proactive replacement recommendation: every 35,040 run hours or every 6 years	025 52740 000	Sensor Temp 3000 Ohm EWT LWT	2
			325 47673 000	Service Kit Assy, Pipe Mount 3K Thermistor	4
			025 47688 000	Temp Sensor Outside Air Temperature	1
			025 47670 000	Sensor Temp	2
326 41611 605	Pump	Glycol pump kit for chillers requiring 5 gallons of glycol Proactive replacement recommendation: every 40,880 run hours	026 41611 000	Glycol pump	1
			013 03849 001	Coolant ,Inhibitor 5 Gal (Glycol)	1
326 41611 610	Pump	Glycol pump kit for chillers requiring 10 gallons of glycol (VSD/Control Panel Models 0153-0345) Proactive replacement recommendation: every 40,880 run hours	026 41611 000	Glycol pump	1
			013 03849 001	Coolant ,Inhibitor 5 Gal (Glycol)	2
326 41611 615	Pump	Glycol pump kit for chillers requiring 15 gallons of glycol (VSD/Control Panel Models 0368-0523) Proactive replacement recommendation: every 40,880 run hours	026 41611 000	Glycol pump	1
			013 03849 001	Coolant ,Inhibitor 5 Gal (Glycol)	3
325 53950 602	Transducers	Pressure transducer kit containing all transducers to maximize downtime by changing all at once Applies to all YVAA chillers Proactive replacement recommendation: every 46,720 run hours or every 8 years	025 29583 002	Transducer 0-125 psi	2
			025 29139 004	Transducer 0-400 psi	6
366 94952 410	Sensors	Flow Switch Kit Manufactured before September 2014 Qty of kits is recommended based on Pin 46: S = 1, T = 2, U = 3 Proactive replacement recommendation: every 35,040 run hours or every 6 years	024 26116 200	Sensor, Flow	1
			024 12144 000	Sensor, Flow	1

Kit PN	Kit Type	Kit Name & Applicable Models	Kit Contents		
			Item Part Number	Item Description	Qty
366 94952 411	Sensors	Flow Switch Kit Manufactured after September 2014	024 39397 001	Sensor, Flow	1
		Qty of kits is recommended based on Pin 46: S = 1, T = 2, U = 3			
		Proactive replacement recommendation: every 35,040 run hours or every 6 years	024 12144 000	Sensor, Flow	1
366 94952 403	Valves	Refrigerant Valves			
		Proactive replacement recommendation: every 35,040 run hours or every 6 years	022 09754 100	Valve, Receiver Angle	6
366 94952 404	Sensors	Flash Tank Level Sensor & High Pressure Cut Out Switch Kit	025 39956 001	Switch, High Pressure Cut Out	2
		This kit contains the two common items that may be proactively replaced when charge has been pulled from the unit. Avoid unplanned down time and the expense of removing charge by proactively replacing both components.			
		Proactive replacement recommendation: every 46,720 run hours or every 8 years	025 43324 101	Sensor, Level	2
392 29437 100	Valves	5" Actuated Suction Service Valve Kit	022 13035 001	Assembly, 5" Suction Service Valve & Actuator	2
		Includes valves, actuators, and screws for full replacement.			
		Proactive replacement recommendation: inspect and replace if necessary every 35,040 run hours	021 33128 000	Screw	16
392 29437 200	Valves	6" Actuated Suction Service Valve Kit	022 13036 001	Assembly, 6" Suction Service Valve & Actuator	2
		Includes valves, actuators, and screws for full replacement.			
		Proactive replacement recommendation: inspect and replace if necessary every 35,040 run hours	021 33373 110	Screw	16
392 29437 300	Valves	5" and 6" Actuated Suction Service Valve Kit	022 13035 001	Assembly, 5" Suction Service Valve & Actuator	1
		Includes valves, actuators, and screws for full replacement.	021 33128 000	Screw	8
		Proactive replacement recommendation: inspect and replace if necessary every 35,040 run hours	022 13036 001	Assembly, 6" Suction Service Valve & Actuator	1
			021 33373 110	Screw	8

Kit PN	Kit Type	Kit Name & Applicable Models	Kit Contents		
			Item Part Number	Item Description	Qty
366 94952 405	Valves	Economizer and Condenser Drain Electronic Expansion Valves (VSD/Control Panel Models 0153-0278)	025 41565 000	Valve, Expansion Electronic	2
		Proactive replacement recommendation: inspect and replace if necessary every 58,400 run hours	025 44027 000	Valve, Expansion Electronic	2
366 94952 406	Valves	Economizer and Condenser Drain Electronic Expansion Valve (VSD/Control Panel Models 0295-0318)	025 41565 000	Valve, Expansion Electronic	1
		Proactive replacement recommendation: inspect and replace if necessary every 58,400 run hours	025 44027 000	Valve, Expansion Electronic	3
366 94952 407	Valves	Economizer and Condenser Drain Electronic Expansion Valve (VSD/Control Panel Models 0323-0345)	025 44027 000	Valve, Expansion Electronic	4
366 94952 408	Valves	Economizer and Condenser Drain Electronic Expansion Valve (VSD/Control Panel Models 0368-0428)	025 45017 000	Valve, Expansion Electronic	2
		Proactive replacement recommendation: inspect and replace if necessary every 58,400 run hours	025 44027 000	Valve, Expansion Electronic	2
366 94952 409	Valves	Economizer and Condenser Drain Electronic Expansion Valve (VSD/Control Panel Models 0443-0523)	025 45017 000	Valve, Expansion Electronic	4
		Proactive replacement recommendation: inspect and replace if necessary every 58,400 run hours			

Kit PN	Kit Type	Kit Name & Applicable Models	Kit Contents		
			Item Part Number	Item Description	Qty
366 94952 021	PM	PM Kit for YVAA and YVFA chillers See SI0520 for additional details and specific model applicability	026 35601 000	Element, Oil Filter, 0.5 micron (nominal)	2
			028 13849 000	O-Ring, Neoprene, 3.237" ID, 0.103" Thick	2
			026 37540 000	Ctg Dehydrator 100% Molecular	6
			011 00962 000	Oil, Type "L", 1 Qt	2
366 94952 022	PM	PM Kit for YVAA and YVFA chillers See SI0520 for additional details and specific model applicability	026 35601 000	Element, Oil Filter, 0.5 micron (nominal)	2
			028 13849 000	O-Ring, Neoprene, 3.237" ID, 0.103" Thick	2
			026 46952 000	Ctg Dehydrator 100% Molecular	6
			011 00962 000	Oil, Type "L", 1 Qt	2
366 94952 023	PM	PM Kit for YVAA and YVFA chillers See SI0520 for additional details and specific model applicability	026 35601 000	Element, Oil Filter, 0.5 micron (nominal)	2
			028 13849 000	O-Ring, Neoprene, 3.237" ID, 0.103" Thick	2
			026 37540 000	Ctg Dehydrator 100% Molecular	6
			026 46952 000	Ctg Dehydrator 100% Molecular	6
			011 00962 000	Oil, Type "L", 1 Qt	2



YCIV & YCAV

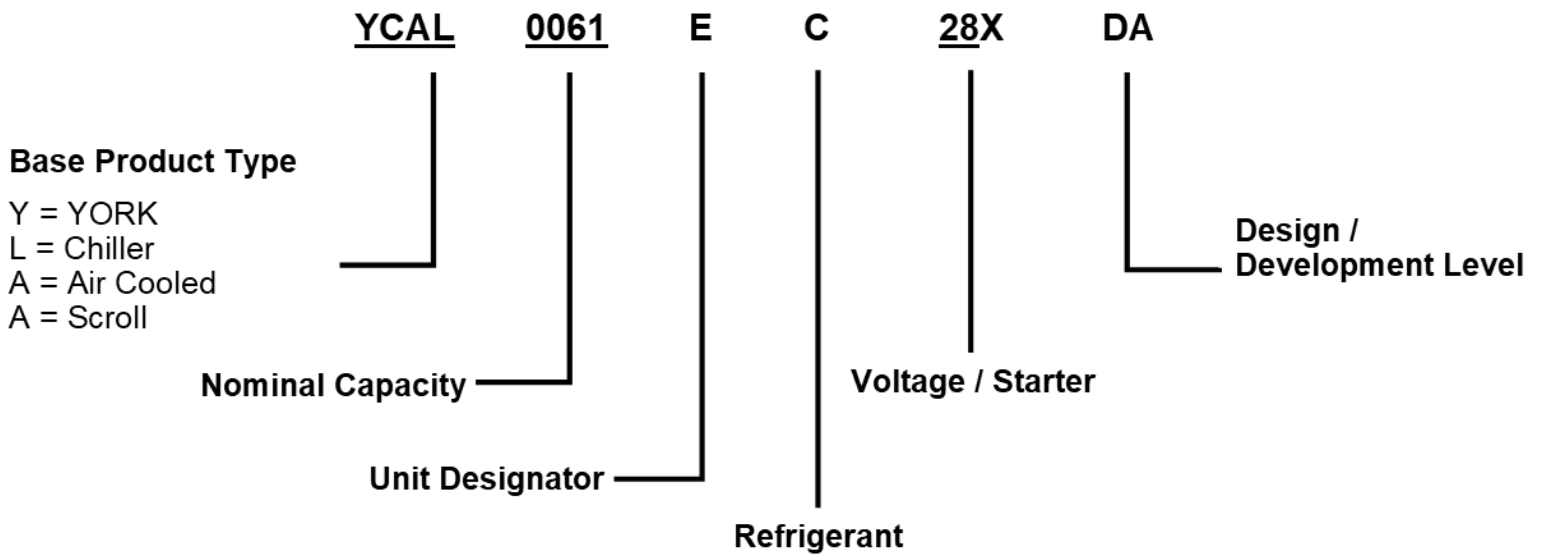
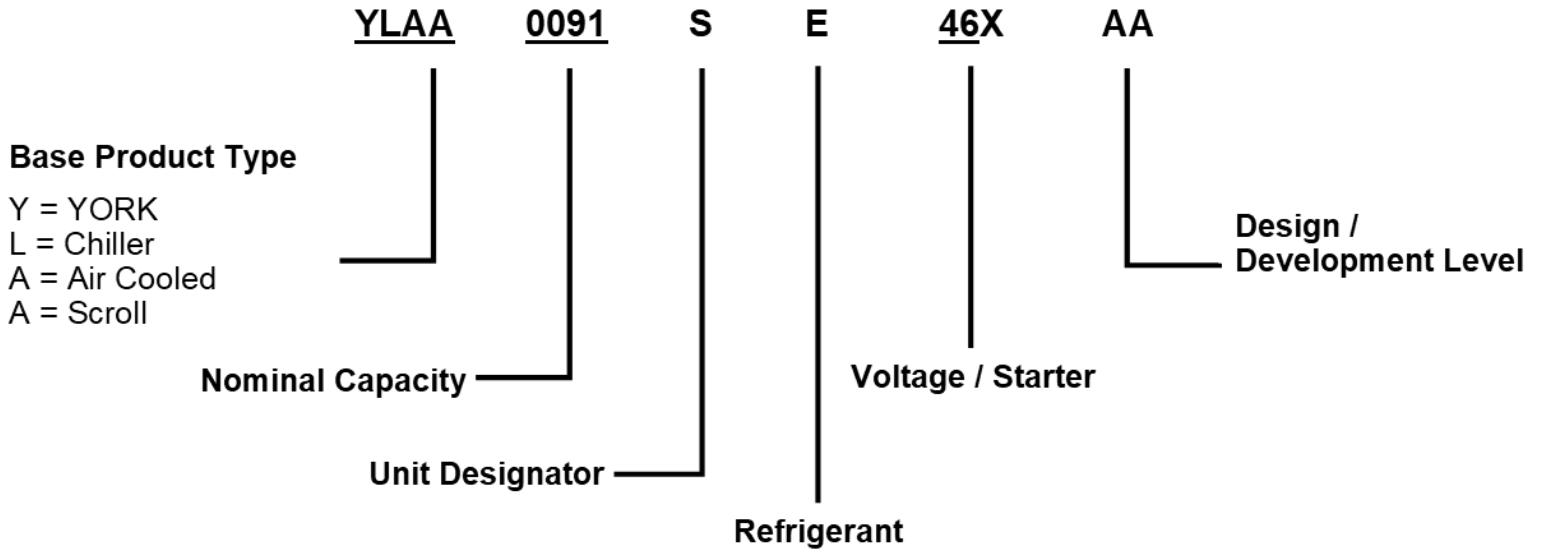
Proactive Maintenance

Kit PN	Kit Type	Kit Name & Applicable Models	Kit Contents		
			Item Part Number	Item Description	Qty
325 52740 602	Sensors	Water temperature sensor kit containing all sensors on the water side of the chiller Proactive replacement recommendation: every 35,040 run hours or every 6 years	025 52740 000	Temperature Sensor, -50 to 105 C	2
			013 00898 000	Compound, Heat Conductive	1
325 53952 601	Sensors	YCIV temperature sensor kit containing all temperature sensors Proactive replacement recommendation: every 35,040 run hours or every 6 years	025 47688 000	Ambient Temp. Sensor	1
			025 52740 000	Water Temp Sensor	1
			025 47670 000	Discharge Temp. Sensor	1
			325 47673 000	Suction Temp. Sensor	1
			025 47672 000	Oil Temp. Sensor	1
325 53952 602	Transducers	YCIV pressure transducer kit containing all pressure transducers Proactive replacement recommendation: every 35,040 run hours or every 6 years	025 29139 009	Discharge Transducer	2
			025 29583 002	Suction Transducer	1
325 53952 603	Sensors & Transducers	YCIV Sensor and Transducer Kit Proactive replacement recommendation: every 35,040 run hours or every 6 years	325 43503 001	Refrigerant level Sensor	1
			325 53952 601	YCIV Temperature sensor kit	1
			325 53952 602	YCIV Pressure transducer kit	1

YCIV & YCAV

Preventative Maintenance

Kit PN	Kit Type	Kit Name & Applicable Models	Kit Contents		
			Item Part Number	Item Description	Qty
366 94952 021	PM	PM kit for YCIV & YCAV 2 Compressor Chiller Models See SI0520 for additional details and specific model applicability	026 35601 000	Element, Oil Filter, 0.5 micron (nominal)	2
			028 13849 000	O-Ring, Neoprene, 3.237" ID, 0.103" Thick	2
			026 37540 000	Ctg Dehydrator 100% Molecular	6
			011 00962 000	Oil, Type "L", 1 Qt	2
366 94952 024	PM	PM kit for YCIV & YCAV 3 Compressor Chiller Models See SI0520 for additional details and specific model applicability	026 35601 000	Element, Oil Filter, 0.5 micron (nominal)	3
			028 13849 000	O-Ring, Neoprene, 3.237" ID, 0.103" Thick	3
			026 37540 000	Ctg Dehydrator 100% Molecular	9
			011 00962 000	Oil, Type "L", 1 Qt	3
366 94952 025	PM	PM kit for YCIV & YCAV 4 Compressor Chiller Models See SI0520 for additional details and specific model applicability	026 35601 000	Element, Oil Filter, 0.5 micron (nominal)	4
			028 13849 000	O-Ring, Neoprene, 3.237" ID, 0.103" Thick	4
			026 37540 000	Ctg Dehydrator 100% Molecular	12
			011 00962 000	Oil, Type "L", 1 Qt	4



YLAA

Proactive Maintenance

Kit PN	Kit Type	Kit Name & Applicable Models	Kit Contents		
			Item Part Number	Item Description	Qty
325 52740 602	Water Temp Sensors	Water temperature sensor kit containing all sensors on the water side of the chiller Proactive replacement recommendation: every 35,040 run hours or every 6 years	025 52740 000	Temperature Sensor, -50 to 105 C	2
			013 00898 000	Compound, Heat Conductive	1

YCAL & QTC

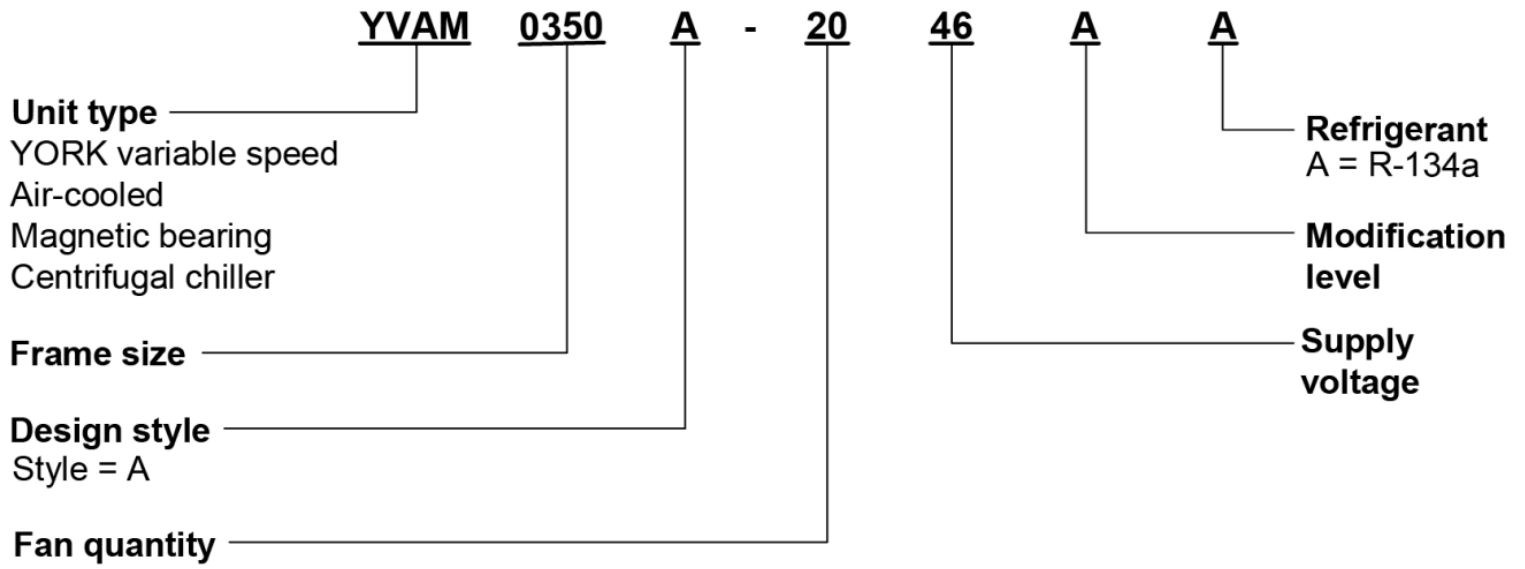
Proactive Maintenance

Kit PN	Kit Type	Kit Name & Applicable Models	Kit Contents		
			Item Part Number	Item Description	Qty
325 40273 600	Sensors	Water temperature sensor kit containing all sensors on the water side of the chiller Applies to YCAL and QTC2 chillers Proactive replacement recommendation: every 35,040 run hours or every 6 years	025 40273 002	Entering Water Temperature Sensor	1
			025 40273 007	Leaving Water Temperature Sensor	1
			013 00898 000	Compound, Heat Conductive	1
325 52740 602	Sensors	Water temperature sensor kit containing all sensors on the water side of the chiller Applies to YCAL remote configurations, QTC3, and QTC4 chillers Proactive replacement recommendation: every 35,040 run hours or every 6 years	025 52740 000	Temperature Sensor, -50 to 105 C	2
			013 00898 000	Compound, Heat Conductive	1

YCAL & QTC

Preventative Maintenance

Kit PN	Kit Type	Kit Name & Applicable Models	Kit Contents		
			Item Part Number	Item Description	Qty
475 89391 002	Misc	Dehydrator with cartridge replacement kit for YCAL chillers	026 15305 000	Moisture Indicator, 7/8" ODF	1
			026 20145 000	Filter Drier 1-1/8" ODF Connection	1



Kit PN	Kit Type	Kit Name & Applicable Models	Kit Contents		
			Item Part Number	Item Description	Qty
327 03593 000	VSD	Cleaner and replacement coolant kit for YORK Liquid Cooled Solid State Starters and Variable Speed Drives This kit applies to SSSs and VSDs requiring up to 3 gallons of coolant	013 03909 000	SSS & VSD Cleaner (5 Gallon)	1
			013 04129 000	SSS & VSD Coolant (1 Gallon)	3
327 03593 001	VSD	Cleaner and replacement coolant kit for YORK Liquid Cooled Solid State Starters and Variable Speed Drives This kit applies to SSSs and VSDs requiring up to 6 gallons of coolant	013 03909 000	SSS & VSD Cleaner (5 Gallon)	1
			013 04128 000	SSS & VSD Coolant (5 Gallon)	1
			013 04129 000	SSS & VSD Coolant (1 Gallon)	1
327 03593 002	VSD	Cleaner and replacement coolant kit for YORK Liquid Cooled Solid State Starters and Variable Speed Drives This kit applies to SSSs and VSDs requiring up to 10 gallons of coolant	013 03909 000	SSS & VSD Cleaner (5 Gallon)	2
			013 04128 000	SSS & VSD Coolant (5 Gallon)	2
013 04131 000	VSD	VSD Coolant Validation Test Kit This kit should be used to confirm VSD coolant meets pH, molybdenum, and sodium nitrate target values after annual maintenance See 160.00-O12 for additional information	013 04132 000	Emulsion Foam Control Agent	1
			013 04135 000	Molybdenum ampoules (30 ct)	1
			013 04136 000*	Ferrion Indicator Solution (30ml)	1
			013 04137 000*	Nitrite Tritant Solution (60ml)	1
			013 04138 000*	Buffer solution (120ml)	1
			013 04139 000*	Conductivity Standard Solution (120ml)	1
			013 04140 000*	Electrode storage solution (60ml)	1
			013 04141 000	Plastic beaker, 50ml	1
			013 04142 000	Tester - pH, Conductivity, TDS, Salinity, Temperature	1
			013 04143 000	Demineralized water (50ml)	1
			013 04144 000	Plastic vial 25ml	1
			013 04145 000	Buffer solution, pH 7.00 (500ml)	1
			013 04146 000	Conductivity Standard Solution (500ml)	1
013 04147 000	Electrode storage solution (500ml)	1			
			*Available Separately as Refills		

MISCELLANEOUS

Preventative Maintenance

Kit PN	Kit Type	Kit Name & Applicable Models	Kit Contents	
			Item Description	Qty
027 00397 000	Refrigerant	Refrigeration oil acid test kit	Large bottle of solvent solution, small bottle of neutralizing solution, instructions	1
027 04195 011	Oil Filter	Trane OEM Liquid Line Filter Kit for use with R134a	Filter shell gaskets	2
			Filter core	1

TOOLS & SUPPLIES

Preventative Maintenance

Kit PN	Kit Type	Kit Name & Applicable Models	Kit Contents	
			Item Description	Qty
027 04208 000	Tool	Goodway flexible shaft and brushes	Flexible tube cleaning shaft (25')	1
			Quick connect brush fitting	1
027 04209 000	Tool	Kit of Chiller Bib® to capture dirty water and debris from tube cleaning	Resuable aluminum frame	1
			Chiller bib bags	3
027 04210 000	Tool	Flexible Shaft Repair Kit for Goodway cleaning kits	Drive end repair couplings	4
			Thrust washers	4
			Tool/brush end repair couplings	4
			Crimping Tool with punch	1
			Flexible shaft lubricator with quick disconnect	1
			16oz bottle of lubricant for flexible shaft lubricator	2
027 04210 001	Tool	Service kit for RAM Pro Chiller Tube Cleaning Equipment	Seal	1
			Bearing	1
			Snap ring	1
			Screen washer	1
			Spacer	1
			Drive shaft	1
			Snap ring	1
			12" water hose	1
			Hose Clamp	1
			Rubber Foot	1
027 04210 002	Tool	Service Kit for RAM-4 Chiller Tube Cleaning Equipment	O-Ring	1
			Seal	1
			Bearing	1
			Snap ring	1
			Lower bearing	1
			Shaft/driver	1
			Screen washer	1
			P-cover screws	6

Kit PN	Kit Type	Kit Name & Applicable Models	Kit Contents	
			Item Description	Qty
027 04210 003	Tool	Service Kit for RAM-5SF Speed Feed Tube Cleaner	O-Ring	1
			Seal	1
			Bearings	10
			Snap ring	1
			Lower bearing	1
			Key	1
			Shaft/driver	1
			Screen washer	1
			Speed-feed gears	1
			Trigger	1
			Trigger pads	2
			Trigger Pin	1
			P-cover screws	6
			027 04210 004	Tool
Seal	1			
Bearing	1			
Snap ring	2			
Lower bearing	1			
Shaft/driver	1			
Screen washer	1			
Back-up washer	1			
V Belt	1			
P-cover screws	6			

YORK Oil Type and Quantity by Model

CENTRIFUGAL CHILLERS

Chiller Family	Model	Qty	Part Number	Oil Type*	Qty (in gallons)	Compressor Models
CYK	CYK STYLE F & G	12	011 00533 000	K	60	All Models
HT/OT	HT390, HT430, HT470, HT470C, HT470CM, HT510, HT510M, HT560, HT560M, HT560C, HT610, HT610M, HT640 & HT640M	4	011 00312 000	C	20	MTD 108, MTD 120 & MTD 126 Compressors
	HT90, HT100, HT110, HT120 & HT130	1	011 00312 000	C	5	MTD 53 & MTD 59 Compressors
	HT150, HT170, HT200C, HT200 & HT230	2	011 00312 000	C	9.5	MTD 67 & MTD 76 Compressors
	HT260, HT290, HT290C, HT290M, HT320, HT350, HT360	3	011 00312 000	C	11.5	MTD 85 & MTD 95 Compressors
	HT/OTM1G1 THRU HT/OTT4G2	3	011 00312 000	C	12	MKA, MKB & MKC 65 & 73 Compressors
	HTA1A3 THRU HTA5A4	1	011 00312 000	C	5	All Models
	HTB1B1 THRU HTC2C2	2	011 00312 000	C	9.5	All Models
	HTD2C1 THRU HTG2C2	3	011 00312 000	C	11.5	All Models
	HTH1E3 THRU HTK3E3	3	011 00312 000	C	14	All Models
	HTA1A3 THRU HTA5A4	1	011 00312 000	C	5	All Models
	HTB1B1 THRU HTC2C2	2	011 00312 000	C	9.5	All Models
	HTD2C1 THRU HTG2C2	3	011 00312 000	C	11.5	All Models
	HTH1E3 THRU HTK3E3	3	011 00312 000	C	14	All Models
	OT390, OT430, OT470, OT510, OT560, OT600, OT620 & OT640	3	011 00312 000	C	11.5	LTD 108 & LTD 120 Compressors
	OT90, OT100, OT110, OT120 & OT130	1	011 00312 000	C	5	LTD 67, LTD 76 & LTD 85 Compressors
	OT150, OT170, OT200, & OT230	2	011 00312 000	C	9.5	LTD 67 & LTD 76 Compressors
	OT260, OT290, OT320, OT350 & OT360	3	011 00312 000	C	11.5	LTD 85 & LTD 95 Compressors
	OT A1 A3-K3 E3 STYLE A,B & C	1	011 00312 000	C	5	LTD 67, LTD 76 & LTD 85 Compressors
		2	011 00312 000	C	9.5	LTD 67 & LTD 76 Compressors
		3	011 00312 000	C	11.5	LTD 85 & LTD 95 Compressors
YB & YG	YB & YG	4	011 00533 000	K	20	All Models
YD	YD Style A, B, & C	9	011 00533 000	K	45	All Models*
		9	011 00579 000	H	45	*Use if operating at ambient temperatures greater than 104 degrees

Oil Type

*Ensure refrigerant/oil type compatibility when multiple oil types are available (see YORK Oil Quick Reference Guide on Page 57)

YORK Oil Type and Quantity by Model

CENTRIFUGAL CHILLERS

Chiller Family	Model	Qty	Part Number	Oil Type*	Qty (in gallons)	Compressor Models
YK	YK STYLE A & B	4	011 00434 000	F	20	G, H, & J Compressors
		4	011 00533 000	K	20	G, H, & J Compressors
	YK STYLE C	4	011 00434 000	F	20	G, H, & J Compressors
		4	011 00533 000	K	20	G, H, & J Compressors
	YK STYLE D	4	011 00533 000	K	20	G, H, & J Compressors
	YK STYLE E	4	011 00533 000	K	20	G, H, & J Compressors
	YK STYLE F	4	011 00533 000	K	20	G, H, J, & P6-P9 Compressors
		4	011 00533 000	K	17.5	P7-H9 Compressors
	YK STYLE G	2	011 00533 000	K	11	P1 - P5, Q3-Q7 Compressors
		2	011 00533 000	K	11	P1 - P5, Q3-Q7 Compressors
	4	011 00533 000	K	20	K1-K7 Compressors (25 Gallons for some units)	
YK STYLE H	3	011 00533 000	K	11	Q3-Q7 Compressors	
YK-EP	YKEP STYLE A	8	011 00533 000	K	40	Q3 & K7 Compressors
YR	YR STYLE A, B, & C	2	011 00549 000	H	9	T0 & T1 Compressors
		3	011 00549 000	H	15	T2 & T3 Compressors
YS	YS STYLE A, B, C, D & E	2	011 00312 000	C	10	S0 Compressors
		2	011 00549 000	H	10	S0 Compressors
		2	011 00312 000	C	10	S1 Compressors
		2	011 00549 000	H	10	S1 Compressors, S2 Compressors
		2	011 00922 000	S	10	S2 Compressors
		2	011 00549 000	H	10	S2 Compressors
		2	011 00922 000	S	10	S3 Compressors
		2	011 00549 000	H	10	S3 Compressors
		3	011 00922 000	S	15	S4 Compressors
		3	011 00549 000	H	15	S4 Compressors
		3	011 00922 000	S	15	S5 Compressors
		3	011 00549 000	H	15	S5 Compressors
		22	011 00312 000	C	110	
		Or				
YST	YST STYLE F & G	4	011 00533 000	K	20	All models
YT	YT STYLE A & B	3	011 00312 000	C	13	All models
		2	011 00312 000	C	10	B & C Compressors
	YT STYLE C & D	3	011 00312 000	C	15	E Compressors
		4	011 00312 000	C	20	F Compressors
	YT STYLE E, F & G	2	011 00312 000	C	10	B & C Compressors
		3	011 00312 000	C	15	E & F Compressors
	YT STYLE H	2	011 00312 000	C	10	B & C Compressors
		3	011 00312 000	C	15	E & F Compressors
	YT STYLE J	2	011 00312 000	C	10	B & C Compressors
		3	011 00312 000	C	15	E & F Compressors

Oil Type

*Ensure refrigerant/oil type compatibility when multiple oil types are available (see YORK Oil Quick Reference Guide on Page 57)

Chiller Family	Model	Qty	Part Number	Oil Type*	Qty (in quarts)
YCIV	YCIV0157, YCIV0177, YCIV0187, YCIV0197, YCIV0207, YCIV0227, YCIV0247, YCIV0267S / 0267P / 0267H / 0267C, YCIV0590, YCIV0600, YCIV0630, YCIV0650, YCIV0700, YCIV0720, YCIV0760, YCIV0770, YCIV0800, YCIV0830, YCIV0840, YCIV0920, YCIV0930, YCIV1000	2	011 00962 000	L	2
	YCIV0267E / 0267V / 0267D, YCIV0287, YCIV0307, YCIV0327, YCIV0357, YCIV0397, YCIV1050, YCIV1070, YCIV1120, YCIV1180, YCIV1220, YCIV1340, YCIV1380, YCIV1500	3	011 00962 000	L	3
	YCIV0457, YCIV1649	4	011 00962 000	L	4
YCAV	YCAV0157, YCAV0177, YCAV0187, YCAV0197, YCAV0207, YCAV0227, YCAV0247, YCAV0267S / 0267P, YCAV0569, YCAV0639, YCAV0679, YCAV0719, YCAV0739, YCAV0819, YCAV0889, YCAV0969S / 0969P	2	011 00962 000	L	2
	YCAV0267E / 0267V, YCAV0287, YCAV0307, YCAV0327, YCAV0357, YCAV0397S / 0397P, YCAV0969E / 0969V, YCAV1039, YCAV1139, YCAV1169, YCAV1309, YCAV1429S / 1429P	3	011 00962 000	L	3
	YCAV0397E / 0397V, YCAV0417, YCAV0457, YCAV0477, YCAV0507, YCAV0527, YCAV1429E / 1429V, YCAV1549, YCAV1649, YCAV1739, YCAV1829, YCAV1909	4	011 00962 000	L	4
YVAA Style A	All Style A chillers with R-134a or R-513a	2	011 00962 000	L	2
YVFA	All chillers with R-134a or R-513a	2	011 00962 000	L	2
YVWA	Single compressor models	1	011 00962 000	L	1
	Dual compressor models	2	011 00962 000	L	2

Oil Type

*Ensure refrigerant/oil type compatibility when multiple oil types are available (see YORK Oil Quick Reference Guide on Page 57)

YORK® Genuine Oil

YORK® PureOil™ offers superior lubrication to match the working conditions in your HVAC application. Our precise specifications ensure that all oil is produced to the highest quality standards for premium performance and durability. With YORK® PureOil, you can be confident that your lubricants deliver what your YORK® equipment needs.

The following table provides general guidelines showing which YORK® PureOil™ is used by chiller product line based on the type of refrigerant in the chiller system.

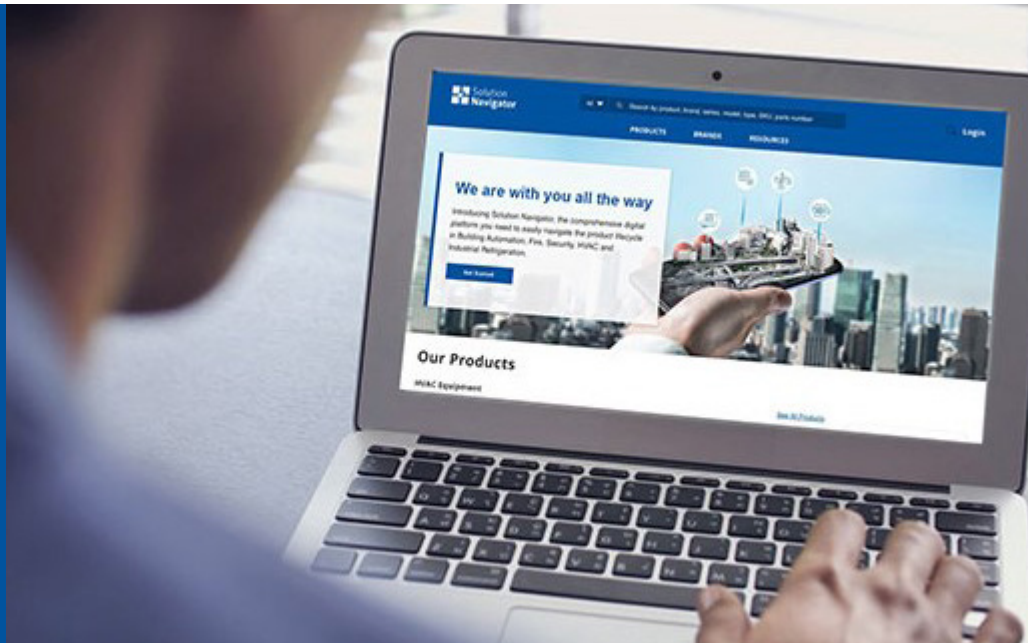
If you are unsure which oil to order, check the chiller nameplate/documentation for the correct oil type.

YORK® Oil Quick Reference Guide

Type of York Oil	Refrigerant Compatibility	Size	Part number	Applicable Chiller Product Lines and Applications
C	R-11 R-123 R-22	5 Gal	011 00312 000	YR YS S0, S1, S7 Compressors YT
		55 Gal	011 00313 000	
F	R-22 R-123	1 Gal x 6	011 00954 000	YCAL YK Style A, B, C YT
		5 Gal	011 00434 000	
		55 Gal	011 00426 000	
H	R-134a	1 Gal x 6	011 00586 000	YR, YS YD (ambient temperatures above 104F)
		2.5 Gal	011 00993 000	
		5 Gal	011 00549 000	
		55 Gal	011 00550 000	
J	R-134a	Quart	011 00599 000	YK (special applications)
		1 Gal x 6	011 00974 000	
		2.5 Gal	011 00994 000	
		5 Gal	011 00558 000	
		55 Gal	011 00559 000	
K	R-134a R-513a	Quart	011 00572 000	YK (all styles with R-134a or R-513a) CYK, YK-EP YST, YB YG YD (ambient temperatures below 104F)
		1 Gal x 6	011 00560 000	
		2.5 Gal	011 01046 000	
		5 Gal	011 00533 000	
		55 Gal	011 00534 000	
L	R-134a R-513a	Quart	011 00962 000	YCAS, YCAV, YCIV, YVAA, YVFA
		1 Gal x 6	011 00956 000	
		2.5 Gal	011 00995 000	
		5 Gal	011 00592 000	
		55 Gal	011 00591 000	
S	R-22	5 Gal	011 00922 000	YS S2-S5 Compressors
		55 Gal	011 00921 000	
V	R407c	5 Gal	011 00949 000	YCAL

Purchase all of your kits, chiller parts and more through Solution Navigator!

- Use the Navigator Search to find SKU/Part/Item
- Click the cart icon to access your cart or view order history
- Add a SKU/Part quickly with the Quick Order Widget
- Mass upload a list of SKU/Parts with the Mass Upload Widget



Original Equipment Replacement Parts by YORK® to Extend the Life of Your Assets

The long-term performance of your HVAC equipment depends on the quality of its replacement parts. Choosing original replacement parts ensures uninterrupted operation and can keep your chiller and other essential equipment running for years to come.

Johnson Controls supplies original equipment manufacturer replacement parts for industrial and commercial chillers to operate at maximum efficiency.

- A trusted provider with a broad line of chiller replacement parts for HVAC systems
- A network of distribution channels to help building owners, operators, and contractors get the replacement parts they need quickly
- Preventive Maintenance kits for chiller models include annual servicing in an easy-to-order package

For additional information, please visit www.johnsoncontrols.com or contact us:

Baltimore / Phoenix Parts Center

9104 Yellow Brick Road
Baltimore, MD 21237
(800) 932-1701
chillerparts@jci.com

Pasadena Parts Center

4111 Green Shadow Drive
Pasadena, TX 77503
(833) 784-0474
chillerpartspasadena@jci.com

Houston Parts Center

8323 N. Eldridge Parkway, Ste 120
Houston, TX 77041
(833) 278-7991
chillerpartshouston@jci.com

Toronto Parts Center

7 Paget Road
Brampton, ON L6T 5S2
(905) 488-3642
chillerpartstoronto@jci.com

The power behind **your mission**

